

# SRP-383

## 3-inch POS printer



Retail



Hospitality

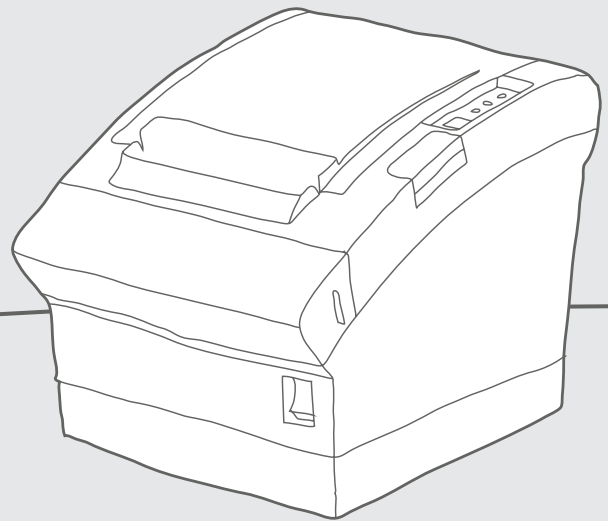


Ticketing



Kiosk

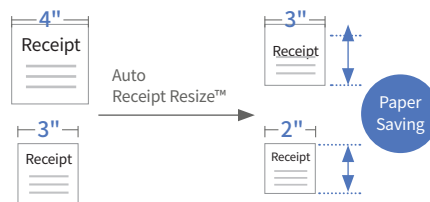
# Superior Print Quality



300  
dpi



200  
mm/sec



Easy Tracking™



### Low Maintenance

- Capability to check the TPH and Auto cutter's life through the self-test printing via statistic data
- Easy Tracking™ supports a QR code linking to the technical support microsite on a unique label plate found on the bottom of the printer
- USB V2.0 + Serial, Ethernet, Powered USB, Bluetooth or WLAN

### Superior Print Quality

- Supporting the highest resolution in the POS printer market
- Ensuring crisp, clear printing of 1-D and 2-D bar codes, quality texts and images
- Easy to print compliant, scannable barcodes: containing more data in smaller sizes
- Driving sales and loyalty with a greater variety of fonts, more identifiable images on receipts

### Reduced TCO and Sustainability

- Auto Receipt Resize™: Paper saving solution scaling from 4-inch to 3-inch or 3-inch to 2-inch
- Reducing paper usage up to 53% resulting in less wasted and lower CO2 emission
- Specialized utility to store True Type fonts in the POS printer
- Anywhere Anyfont™ (Unicode) removing the need to write multiple code pages for every language

# SRP-383

## 3-inch POS printer

### Specifications

#### Print Characteristics

**Print Method**

Direct Thermal

**Print Speed**

Up to 200 mm/sec

**Print Resolution**

300 dpi

**Print Width**

Up to 73.1 mm

**Sensor**

Paper End, Paper Near End, Cover Open

#### Media Characteristics

**Media Type**

Receipt

**Media Width**

80 / 58 mm

**Media Roll Diameter**

Up to 83 mm

**Media Thickness**

0.062 ~ 0.075 mm

**Supply Method**

Easy Paper Loading

#### Physical Characteristics

**Dimensions (WxLxD)**

147 x 200 x 148 mm  
(5.79 x 7.87 x 5.82 inch)

**Weight**

1.53 kg (3.36 lbs.)

**Power**

EnergyStar Certified,  
External Power Adaptor 100-240V AV, 50/60Hz

**Drawer Port**

2 ports (Via y-type adaptor)

#### Performance Characteristics

**NV Image Memory**

1 Mbytes (Mono)

**Receive Buffer**

4 Kbytes

**User Define Buffer**

12 Kbytes

**Interface**

Standard: USB V2.0 FS  
Optional: USB V2.0 FS + Ethernet / Serial /  
Dual Serial / WLAN<sup>1</sup> / Bluetooth<sup>2</sup> /  
Powered USB

WLAN<sup>1</sup>: 802.11a/b/g/n(2.4G+5G)  
Bluetooth<sup>2</sup>: V4.2 Classic / LE, Class 1,  
MFi certified

#### Environment Characteristics

**Temperature**

Operating: 0 ~ 40°C (32 ~ 104°F)  
Storage: -20 ~ 60°C (-4 ~ 140°F)

**Humidity**

Operating: 10 ~ 80% RH  
Storage: 10 ~ 90% RH

#### Reliability

**Thermal Print Head (TPH)**

100 km \*\*\*

**Auto Cutter**

3 Million Cuts \*\*\*

**\*\*\* Specified Paper**

- TF50KS-E (Paper thickness: 65µm)  
: Nippon Paper industries Co., Ltd.
- PD 150R (Paper thickness: 75µm)  
: New Oji Paper Mfg, Co., Ltd
- PD 160R (Paper thickness: 75µm)  
: New Oji Paper Mfg, Co., Ltd.
- P350 (Paper thickness: 62µm)  
: Kansaki Specialty Paper, Inc. (USA)

#### Software

**Emulation**

BXL / POS

**Driver / Utility**

Windows Driver, OPOS Driver, JPOS Driver,  
Linux / Mac CUPS Driver,  
Virtual COM USB/Ethernet Driver,  
Utility Program, Web Driver

**SDK/Plugin**

iOS SDK, Android SDK, Windows SDK,  
Windows Runtime SDK, Linux SDK,  
Xamarin SDK, Cordova Plugin, Chrome SDK

#### Fonts / Graphics / Symbologies

**Character Size**

Font A: 18 x 34 Font B: 12 x 24  
KOR, CHN, JPN: 18 x 24

**Characters Per Line**

Font A: 48 Font B: 72  
KOR, CHN, JPN: 48

**Character Sets**

Alphanumeric: 95  
Extended Graphics: 128 x 35 page  
International: 32  
Unicode: UTF-8, UTF-16, UTF-32

**Graphics**

Supporting user-defined fonts, graphics,  
formats and logos

**Barcode Symbologies**

- 1D: Coda Bar, Code 39, Code 93, Code 128, EAN-8, EAN-13, ITF, UPC-A, UPC-E
- 2D: Data Matrix, GS1-128, GS1 DataBar Stacked / Omnidirectional / Truncated / Limited / Expanded, PDF417, QR code

#### Accessories

**Standard**

2 inch Partition (58 mm)

**Optional**

External buzzer, B-Melodist,  
USB A-B Cable 1.8m,  
Powered USB 0.5m, Powered USB 1.2m

