

BIXOLON

User's Manual

SRP-S300II

LINERLESS PRINTER

Ver. 1.01



www.bixolon.com

Copyright

© BIXOLON Co., Ltd. All rights reserved.

This user manual and all property of the product are protected under copyright law. It is strictly prohibited to copy, store, and transmit the whole or any part of the manual and any property of the product without the prior written approval of BIXOLON Co., Ltd. The information contained herein is designed only for use with this BIXOLON product. BIXOLON is not responsible for any direct or indirect damages, arising from or related to use of this information.

- The BIXOLON logo is the registered trademark of BIXOLON Co., Ltd.
- All other brand or product names are trademarks of their respective companies or organizations.

BIXOLON maintains ongoing efforts to enhance and upgrade the functions and quality of all our products.

In the following, product specifications and/or user manual content may be changed without prior notice.

Caution

Electronics, such as printers, are prone to damage by static electricity. Therefore, to protect the printer from static electricity, be sure to turn off the printer before connecting or disconnecting the cable to the rear of the printer. If the printer is damaged by static electricity, contact your local dealer.

This equipment is not suitable for use in locations where children are likely to be present. When the printer is operating with the media cover open, do not wear anything that can touch the drive, such as clothing, necklaces, rings, watches, or employee certificates close to it. Also, keep yourself away from the printer as it is dangerous for some parts of the body to come into contact with it. If an object or part of your body touches the drive, immediately disconnect the power cord or turn off the power switch on the back of the product.

Warning

Hazardous moving parts

Keep fingers and other body parts away

Pull the print head lever can be stop all moving parts.



IEC 60417-6057 (2011-05) for other moving parts.

Mise en garde

Les appareils électroniques, tels que les imprimantes, risquent d'être endommagés par l'électricité statique. Par conséquent, pour protéger l'imprimante de l'électricité statique, veuillez à l'éteindre avant de connecter ou de déconnecter le câble situé à l'arrière de celle-ci. Si l'imprimante est endommagée par l'électricité statique, contactez votre revendeur local

Cet appareil n'est pas adapté d'utiliser dans des endroits où des enfants sont probablement d'être présents.

Lorsque l'imprimante fonctionne avec le capot ouvert, ne portez rien qui puisse entrer en contact avec le mécanisme, tel que des vêtements, des colliers, des bagues, des montres ou des certificats d'employé à proximité. Éloignez-vous également de l'imprimante car il est dangereux que certaines parties du corps entrent en contact avec celle-ci. Si un objet ou une partie de votre corps entre en contact avec le mécanisme, débranchez immédiatement le câble d'alimentation ou éteignez l'interrupteur situé à l'arrière du produit.

Attention

Pièces mobiles dangereuses

Veillez à ce que vos doigts ou toute partie du corps n'entre(nt) pas en contact avec ces pièces. Tirez le levier de la tête d'impression pour arrêter toutes les pièces en mouvement.



IEC 60417-6057 (2011-05) pour les autres pièces mobiles.

Compliance information

This device complies with Part 15 of the FCC Rules. Operation is subject to the following two conditions: (1) This device may not cause harmful interference, and (2) This device must accept any interference received, including interference that may cause undesired operation.

This equipment has been tested and found to comply with the limits for a Class A digital device pursuant to Part 15 of the FCC Rules. These limits are designed to provide reasonable protection against harmful interference when the equipment is operated in a commercial environment. This equipment generates uses, and can radiate radio frequency energy and, if not installed and used in accordance with the instruction manual, may cause harmful interference to radio communications. Operation of this equipment in a residential area is likely to cause harmful interference in which case the user will be required to correct the interference at his own expense.

Caution: Exposure to Radio Frequency Radiation.

To comply with FCC RF exposure compliance requirements, a separation distance of at least 20 cm must be maintained between the antenna of this device and all persons.

Caution: Any Changes or modifications not expressly approved by the manufacturer could void the user's authority to operate the equipment.

Class A Digital Device: Wired Device

This Apparatus complies with class "A" limits for radio interference as specified in the Canadian department of communications radio interference regulations.

This Class A digital apparatus complies with Canadian ICES-003.

Appareil numérique de classe A: appareil filaire

Get appareil est conforme aux normes class "A" d'interference radio tel que specifier par ministre canadien des communications dans les reglements d'interference radio.

Cet appareil numérique de la classe A est conform à la norme NMB-003 du Canada.

Waste Electrical and Electric Equipment (WEEE)



This marking shown on the product or its literature, indicates that it should not be disposed with other household wastes at the end of its working life, To prevent possible harm to the environment or human health from uncontrolled waste disposal, please separate this from other types of wastes and recycle it responsibly to promote the sustainable reuse of material resources. Household users should contact either the retailer where they purchased this product, or their local government office, for details of where and how they can take this item for environmentally safe recycling. Business users should contact their supplier and check the terms and conditions of the purchase contract. This product should not be mixed with other commercial wastes for disposal.



WARNING & CAUTION

Is described as death, physical injuries, serious financial losses, and damage to data etc. that can be caused to the user.

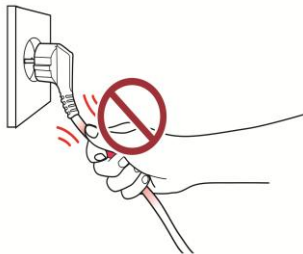
Do not connect multiple products to a single or faulty power outlet. Use only grounded power outlets that meet the industry standard. **Noncompliance may cause electric shock or fire.**



Only use authentic products from BIXOLON. **The company will not provide post-sale support for damaged or other quality issues that any fake (or refurbished) products may incur.**



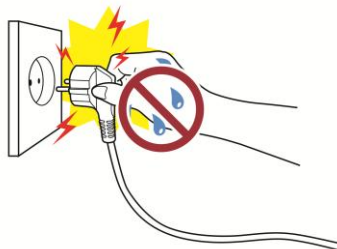
Do not excessively bend or strain the power cord. Securely push the power cord all the way into the power outlet lest it remain loose. Make sure to hold the cord tight when separating it from the power outlet. Do not remove the power cord while the product is in use. **Noncompliance may cause electric shock or fire.**



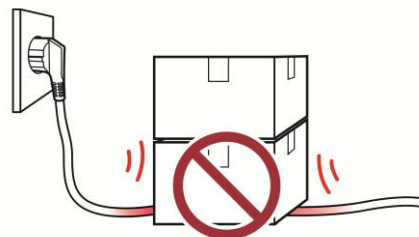
Keep small accessories or other packaging materials away from young children. Beware: choking hazard. **Mishandling the product may incur injuries which may require seeking urgent medical attention.**



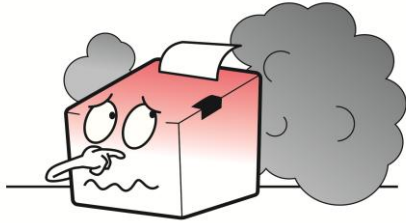
Keep excessive liquids away from the power cord and outlet. If matter is smeared onto the power cords, wipe with a dry cloth. **Noncompliance may cause electric shock or fire.**



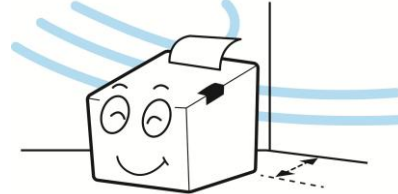
Do not allow the product to be damaged by heavy objects. **Noncompliance may cause electric shock or fire.**



If the product emits a strange sound, burning smell, or smoke, turn off the power immediately and unplug the power cord. If the product is dropped or its exterior is damaged, turn off the power immediately and unplug the power cord. Do not subject the product to shock. **It may start a fire. It may damage the product.**



Install the product in a well-ventilated area by keeping it a certain distance from the wall. The product installed in certain places such as where a lot of fine dust is generated, where the temperature is too high or too low, where there is a lot of moisture or water, and at airports or stations that are used continuously for a long time may suffer serious quality problems due to the influence of the surrounding environment. **An increase in internal temperature may start a fire. Be sure to contact the place of purchase before installing the product.**



Install the product in a fixed place preventing it from tipping over. When moving the product, turn off the power and disconnect all connected cables, including the power cord. **It may damage the product.**



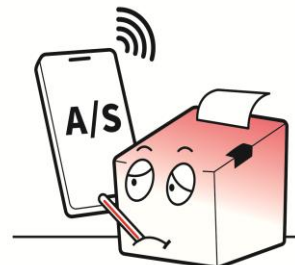
Never independently disassemble, repair, or modify the product as the warranty will become invalid. **When repair is necessary, contact the original place of purchase.**



Do not let any foreign substances enter the product. Do not place heavy objects, liquids, or metals on the product. **This could cause damage to the product or a fire.**





If there is a problem with the product, please contact the original place of purchase or through BIXOLON website's product repair page (www.bixolon.com).









Manual Introduction

This manual provides basic information on printers and provides ways to install, use, and check them. In order to protect the safety of users and prevent property damage, be fully familiar with this manual before using the product. Please use it.

Manual Symbol Introduction

| | | |
|---|---------------------------------|---|
|  | Precaution & Warning | It describes death, physical injuries, serious financial losses, and damage to data etc. that can be caused to the user. |
|  | Note | It provides additional information on the function and performance of the product. |

Symbol Information

| | |
|---|---------------------|
|  | DC (Direct current) |
|  | Error, Warning |
|  | Paper Feeding |
|  | Stand-By |
|  | USB |
|  | Ethernet |

Printer Introduction

The SRP-S300II series is a 3-inch (80 mm) linerless printer designed with BIXOLON's eco-friendly technology and supports 180 mm/sec print speed. It supports up to three paper widths via partitions and can accommodate paper rolls up to 103 mm in diameter.

Paper-saving mode and backfeeding technology reduce paper usage, making it economical.

Designed to withstand the rigors of order printing in the kitchen, it is water-resistant and supports an AC/DC adapter for peace of mind. Voice error messages and alarms help you never miss an order, even in noisy environments. You can choose between USB, Ethernet, and interface card types (Serial, Powered USB, Wireless LAN, Bluetooth).

The main features of the printer are as follows

1. Linerless Printer
2. Low noise thermal printing.
3. Max. 180mm/s
4. 148 x 187 x 205(W X D X H)
5. Support of USB(built-in type), Ethernet(built-in type), Serial, Powered USB, Wireless LAN(2.4GHz/5GHz) and Bluetooth interfaces.
6. Control of external devices like cash drawer through peripheral device drive circuit.
7. Internal data buffer (data can be received and buffered while printing).
8. Barcode Printing.
9. Support of various print density settings (by changing virtual memory switch settings).

Table of Contents

| | |
|---|-----------|
| Copyright..... | 2 |
| WARNING & CAUTION | 6 |
| Manual Introduction | 8 |
| Printer Introduction..... | 9 |
| 1. Preparation | 12 |
| 2. Product Part Names | 13 |
| 2-1 Printer Part Names | 13 |
| 2-2 Interface Part Names | 14 |
| 2-2-1 USB (Built-in)..... | 14 |
| 2-2-2 Ethernet Interface (Built-in) | 15 |
| 2-2-3 Serial Interface Card (RS232) | 16 |
| 2-2-4 Wireless LAN Interface Card | 17 |
| 2-2-5 Bluetooth Interface Card | 18 |
| 2-2-6 Powered USB Interface Card..... | 19 |
| 2-2-7 Drawer Kick-out Port..... | 20 |
| 3. Installation & Usage | 21 |
| 3-1 Printer Installation Placings | 21 |
| 3-2 Turn on the Power | 22 |
| 3-3 Inserting and changing the paper roll | 23 |
| 3-4 Using Controller | 26 |
| 3-5 Stacking vertically in two tiers..... | 27 |
| 3-6 Using of Taken Sensor Function..... | 29 |
| 3-7 Changing Paper Width | 30 |
| 4. Self-Test | 32 |
| 4-1 Self-Test through LCD Menu | 32 |
| 4-2 Self-Test Using the Feed Button..... | 34 |
| 4-2-1 If "Exit SELF-TEST" is selected | 35 |
| 4-2-2 If "Mode Selection" is selected | 35 |
| 4-2-3 If "VMSM Selection" is selected | 36 |
| 5. LCD Menu | 37 |
| 6. Maintenance | 44 |

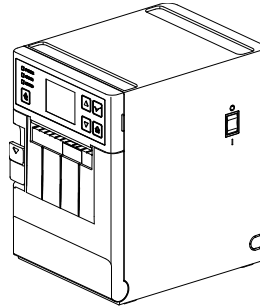
6-1 Paper Jam..... 44
6-2 Cleaning Printer 46

7. Specifications47
7-1 Printer Specifications..... 47
7-2 Recommended Papers 48

1. Preparation

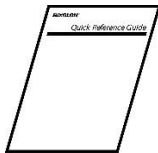


- If there is any part missing, please contact the place of purchase.
- The actual part may look different from the image.

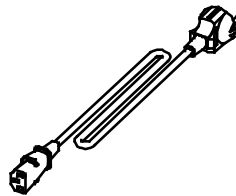


SRP-S300II

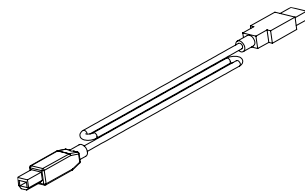
Standard Components



Installation Guide

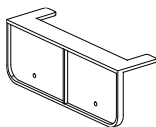


Power Cord

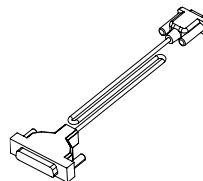


USB A-B Cable

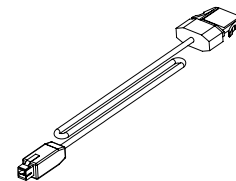
Optional Components



Stack-Plate



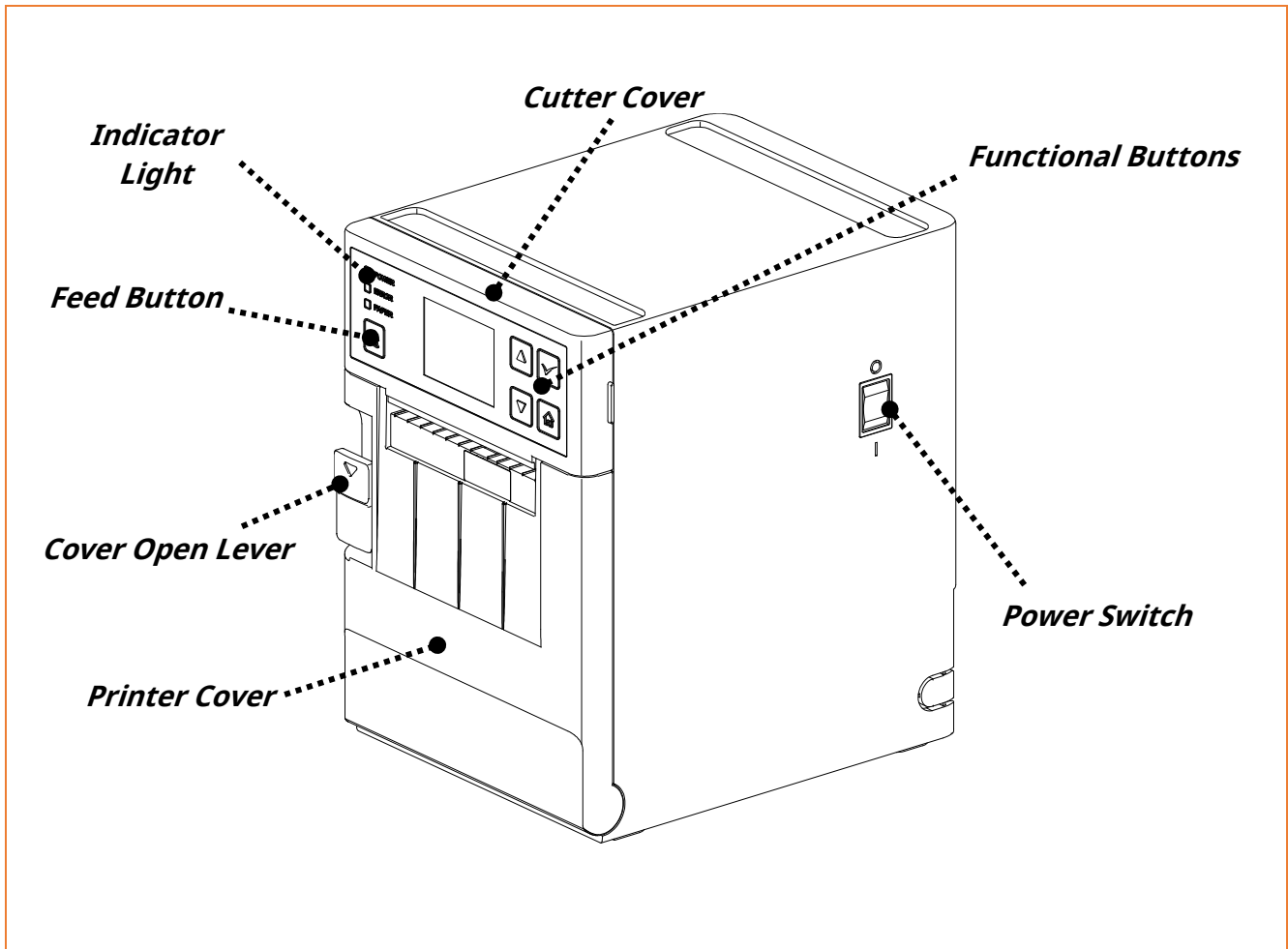
Serial Cable (9pin - 25pin)



Powered USB Cable
(Standard)

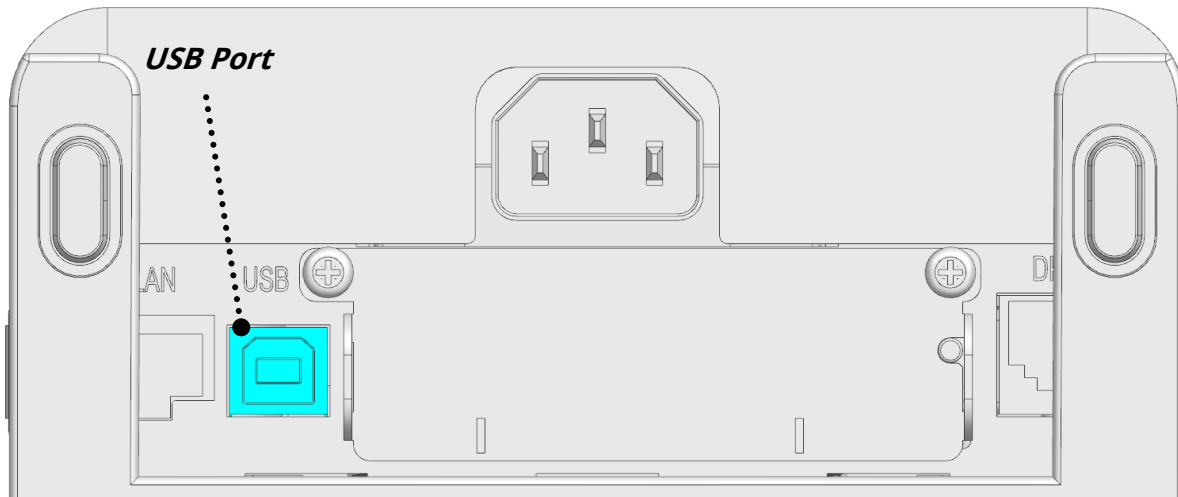
2. Product Part Names

2-1 Printer Part Names



2-2 Interface Part Names

- Connect the printer to the host computer using the right interface cable that complies with the specifications of the interface.

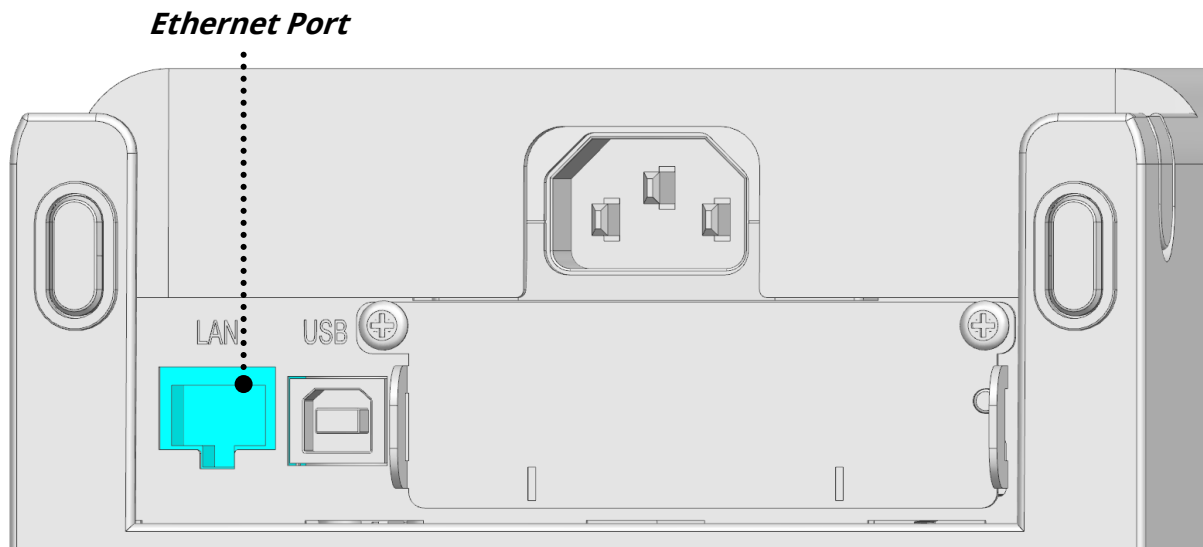
2-2-1 USB (Built-in)

| Pin No. | Signal Name | Function |
|---------|-------------|----------------|
| Shell | Shield | Frame Ground |
| 1 | VBUS | Host Power |
| 2 | D- | Data Line (D-) |
| 3 | D+ | Data Line (D+) |
| 4 | GND | Signal Ground |



Connect or disconnect the communication cable while the printer power is off. If power is on, your data may be lost.

2-2-2 Ethernet Interface (Built-in)



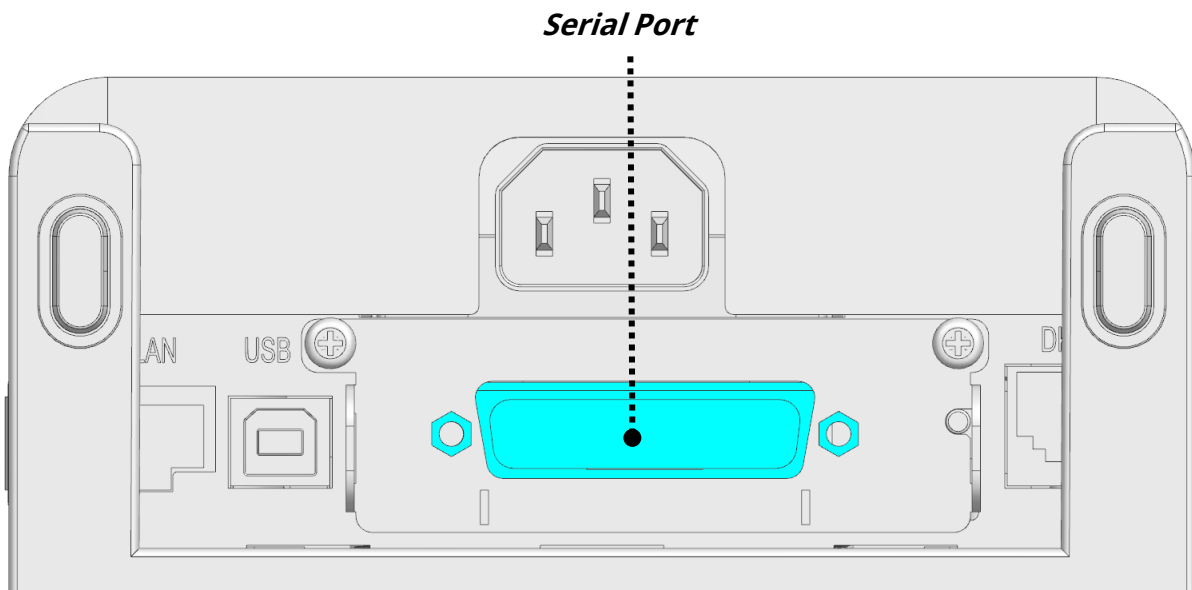
| Pin No. | Signal Name | Designation (Color) | Function |
|---------|-------------|---------------------|------------|
| 1 | TD+ | White Orange | Transmit + |
| 2 | TD- | Orange | Transmit - |
| 3 | CT | White Green | Center tap |
| 4 | NC | Blue | - |
| 5 | NC | White Blue | - |
| 6 | NC | Green | - |
| 7 | RD+ | White Brown | Receive + |
| 8 | RD- | Brown | Receive - |



Connect or disconnect the communication cable while the printer power is off. If power is on, your data may be lost.



- Refer to the utility and network connection manual for Interface connection information. The network connection manual is on the BIXOLON website (www.bixolon.com) We're offering it.

2-2-3 Serial Interface Card (RS232)

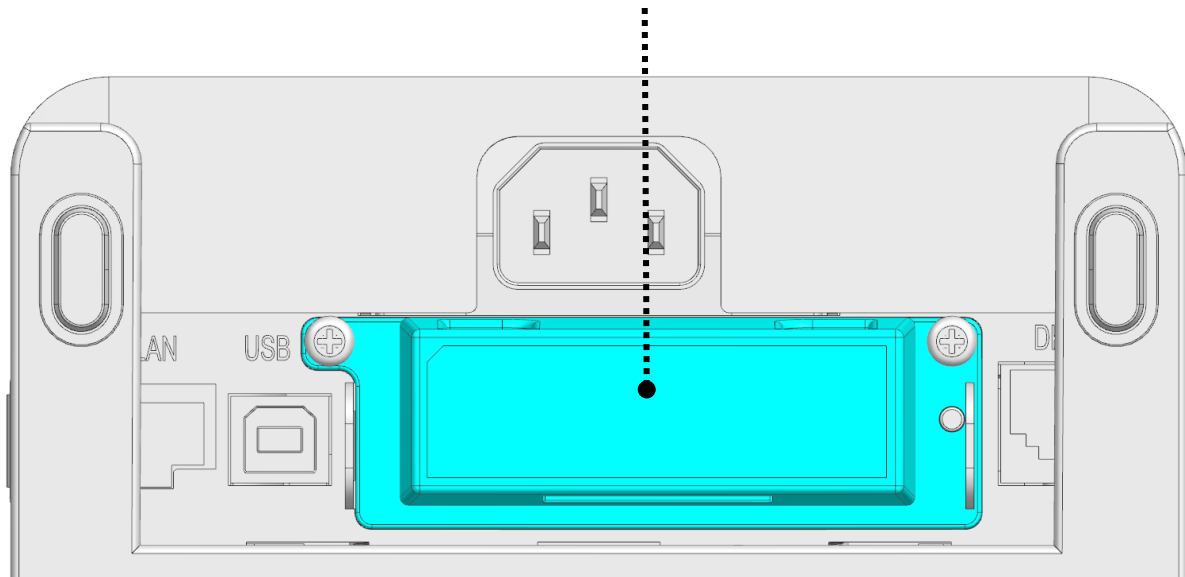
| Pin No. | Signal Name | Direction | Function |
|---------|-------------|-----------|---------------------|
| 1 | FG | - | Frame Ground |
| 2 | TxD | Output | Transmit Data |
| 3 | RxD | Input | Receive Data |
| 4 | RTS | Output | Ready To Send |
| 6 | CTS | Input | Clear To Send |
| 7 | SG | - | Signal Ground |
| 20 | DTR | Output | Data Terminal Ready |
| 20 | DTR | Output | Data Terminal Ready |



Connect or disconnect the communication cable while the printer power is off. If power is on, your data may be lost.

2-2-4 Wireless LAN Interface Card

Wireless LAN Interface Card



1) Wireless LAN Communication Specifications

| Item | Specifications |
|-----------|---|
| Frequency | 2.4GHz / 5GHz |
| Protocol | IFJ-WDa: 802.11 a/b/g/n IFJ-WDb: 802.11 a/b/g/n/ac |

2) Connecting Wireless LAN

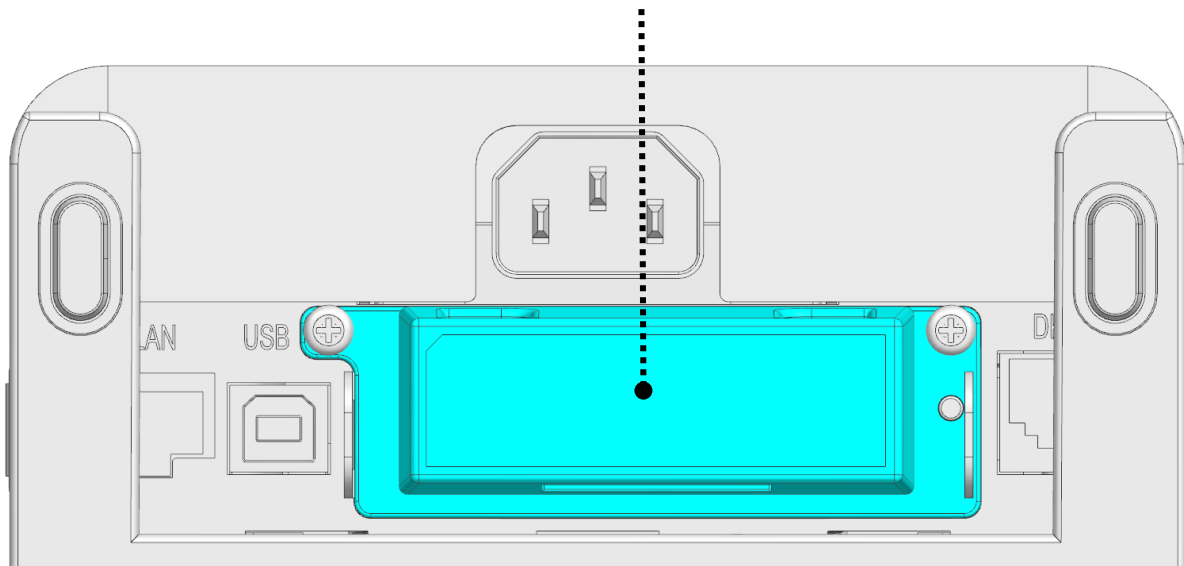
Printer can be connected to terminal devices with wireless LAN communication Capability (PDA, PC, smartphone, tablet PC, etc.).



Refer to the Network Connection Manual for more detailed instructions about how to establish the connection. The Network connection manual is on the BIXOLON website (www.bixolon.com) We're offering it.

2-2-5 Bluetooth Interface Card

Bluetooth Interface Card



1) Bluetooth Communication Specifications

| Item | Specifications |
|-----------|-------------------|
| Frequency | 2.402 ~ 2.480 GHz |
| Version | 5.2 |

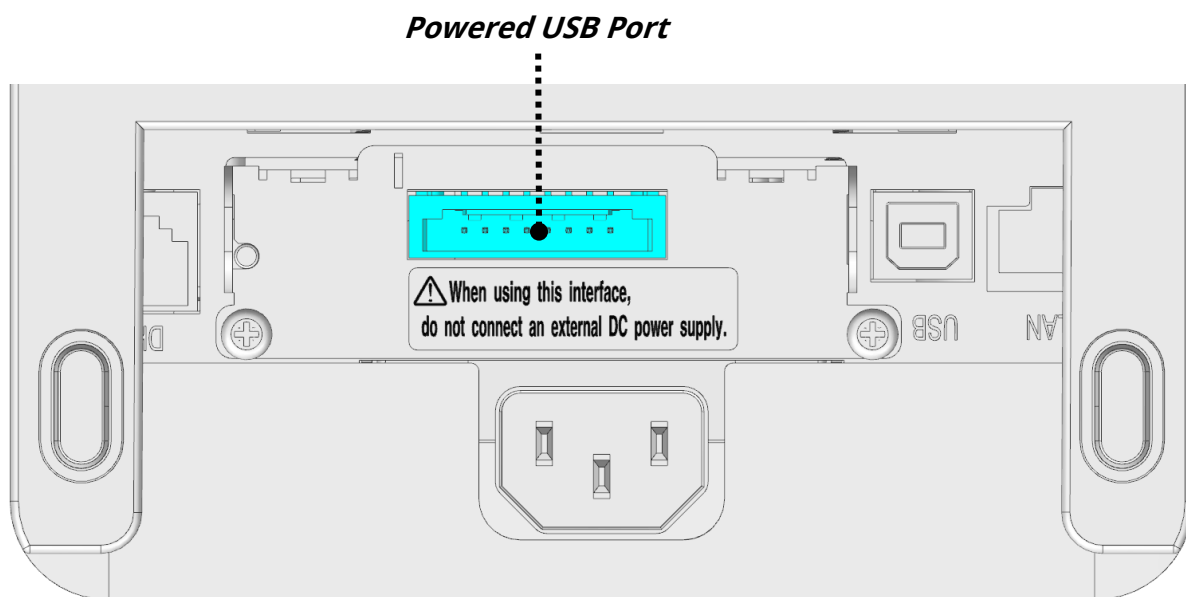
2) Bluetooth Connection

Printer can be connected to terminal devices with Bluetooth communication capability. (PDA, PC, smartphone, tablet PC, etc.)



Refer to the Bluetooth Connection Manual for more detailed instructions about how to establish the connection. The Bluetooth Connection manual is on the BIXOLON website (www.bixolon.com) We're offering it.

2-2-6 Powered USB Interface Card



| Pin No. | Signal Name | Function |
|---------|-------------|-------------------|
| Shield | Shield | Prevent Noise |
| 1 | PGND | Main Power Ground |
| 2 | VPP24V | Main Power |
| 3 | GND | Signal ground |
| 4 | D+ | Data Line(D+) |
| 5 | D- | Data Line(D-) |
| 6 | VBUS | Host Power |
| 7 | VPP24V | Main Power |
| 8 | PGND | Main Power Ground |

- Refer to www.powered.org for detailed information related to the specifications of cable and port.

- Do not apply AC/DC Adapter 24V when using powered USB.
(Powered USB uses its own power.)

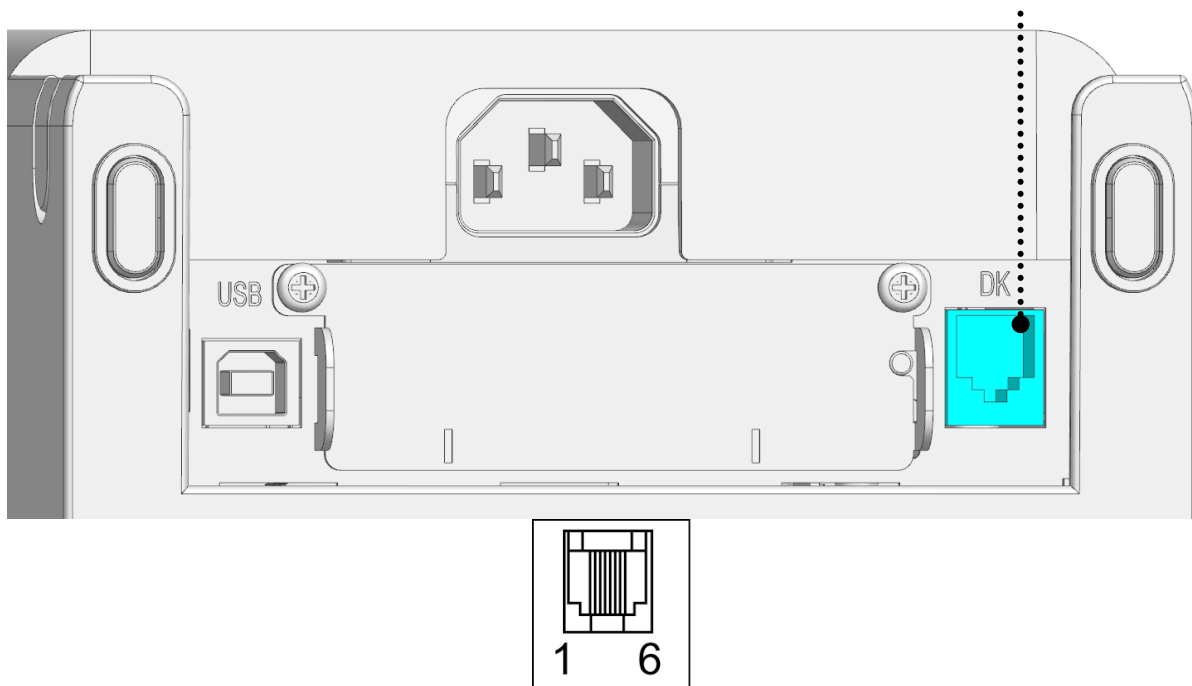


- In case of using Powered USB interface, Do not connect the USB interface that is provided by default. (When connecting the Powered USB interface and the provided USB interface at the same time, USB communication is only possible through the USB interface that is provided by default.)

2-2-7 Drawer Kick-out Port

Connect the Drawer Kick-out connecting cable to the Drawer Kick-out connector located in the back of the printer.

Drawer Kick-out Port



| Pin No. | Signal Name | Direction |
|---------|--------------------------------|-----------|
| 1 | Frame Ground | - |
| 2 | Drawer Kick-out Drive Signal 1 | Output |
| 3 | Drawer Open/Close Signal | Input |
| 4 | +24V | - |
| 5 | Drawer Kick-out Drive Signal 2 | Output |
| 6 | Signal Ground | - |



- Use a cash drawer that meets the printer specifications. Using a cash drawer that is inappropriate to the specs or using it as a power supply for a separate device may result in damage to the product.
- Do not connect a telephone line to the drawer kick-out port. Otherwise, the telephone line and the computer may be damaged.
- Do not allow a foreign object such as a conductor to touch the drawer kick-out port. This may result in damage to the product.
- Make sure to use a cash drawer with an internal coil resistance of 24 Ω or higher. (The maximum current is 1A.)
- The open signal time for the cash drawer should not exceed 0.8 seconds. After opening the cash drawer, make sure to idle for at least 3.2 seconds (at least 4 times that of the open signal time) before operating it.

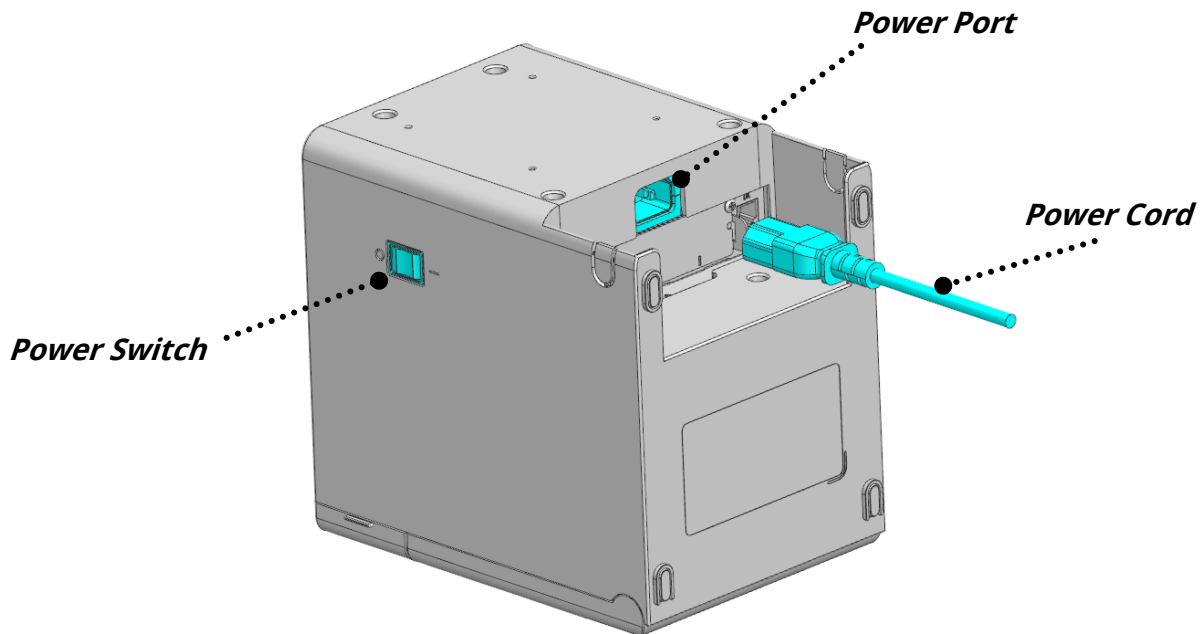
3. Installation & Usage

3-1 Printer Installation Placings

- Allow sufficient space around the printer for proper ventilation.
- Do not place objects close to the back or bottom of the printer, which may hinder the air circulation.
- Install the printer on a flat and level surface.
- Avoid humid environment.
- Install in a place that does not exceed the protocol standard of the wireless communication or the specified maximum distance.
- For stable wireless communication, install in a place where there is no physical obstacle (wall, object, etc.).

3-2 Turn on the Power

1) Connect the power cord to the printer's power port. Then, press the power switch on the side of the printer to turn it on.



- Be sure to turn off the printer and connect or disconnect the cable.
- Only use a power supply provided by BIXOLON. BIXOLON shall bear no responsibility for damage caused by using a third-party power supply.
- Check the power supply's label to check its electronic specs.
- When removing the power supply, make sure you have a firm grasp of the plug terminal of the power jack and the printer and pull horizontally.
- When connecting or disconnecting power, make sure to remove the power supply from the power outlet before removing.
- Pay attention to the direction in which you insert the power jack.
- Do not connect a voltage out of the specifications of the power supply. It can cause damage to the product or a fire.

3-3 Inserting and changing the paper roll

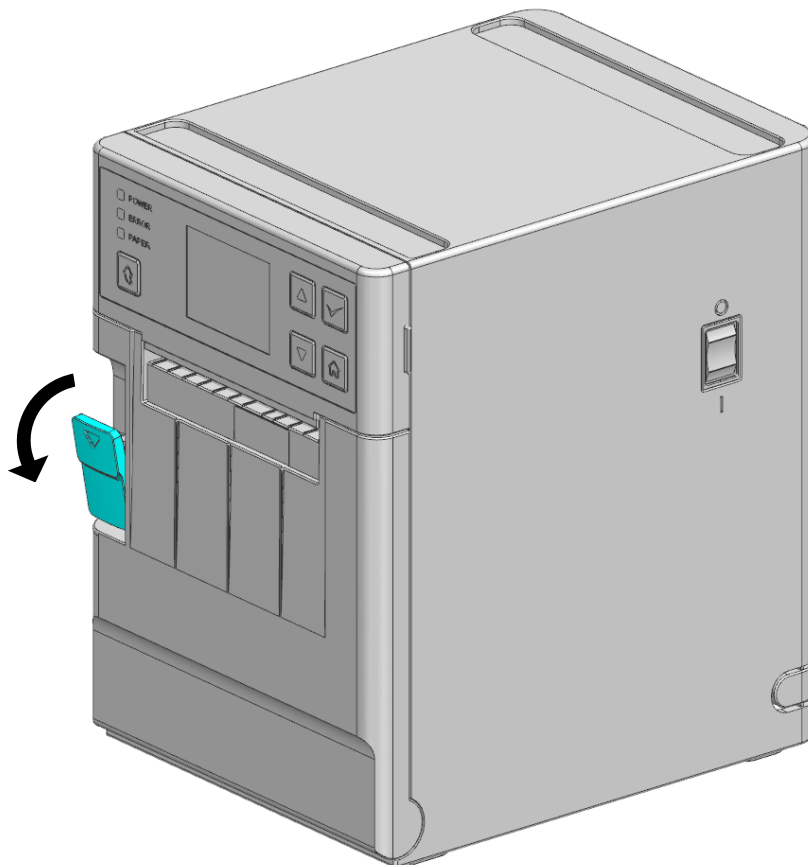
Use paper roll that complies with the specifications

If you use a paper roll including paper core attached to paper, the paper may not be properly recognized as paper Empty due to not proper releasing of paper.



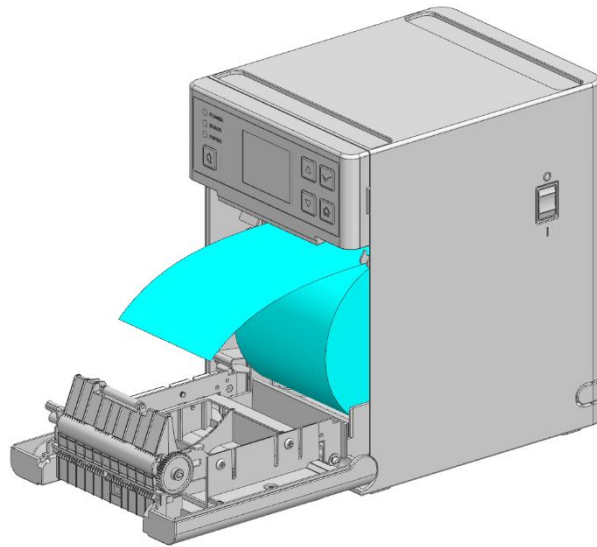
- **When opening or closing the cover, be careful not to pinch your fingers.**
- **Do not open the print head levers while the printer is printing. The printer may be damaged.**
- **Change the paper when the printer is not receiving data, or data may be lost.**
- **While the printer is operating, the printer head gets very hot, so turn off the power and let it cool down completely. The hot printer head can cause serious burns.**

1) Open the paper roll cover by pull the cover-open lever.

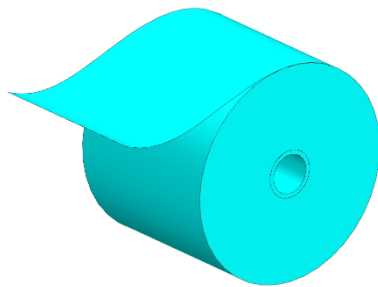


When you change the paper, remove the used paper roll.

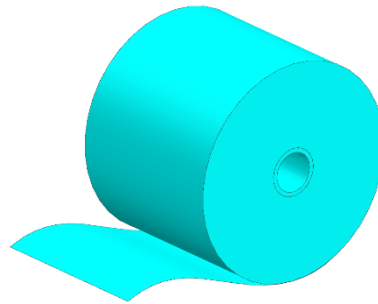
2) Replace with a new one as shown in the image.



3) Check the orientation of the roll paper when inserting it into the printer.

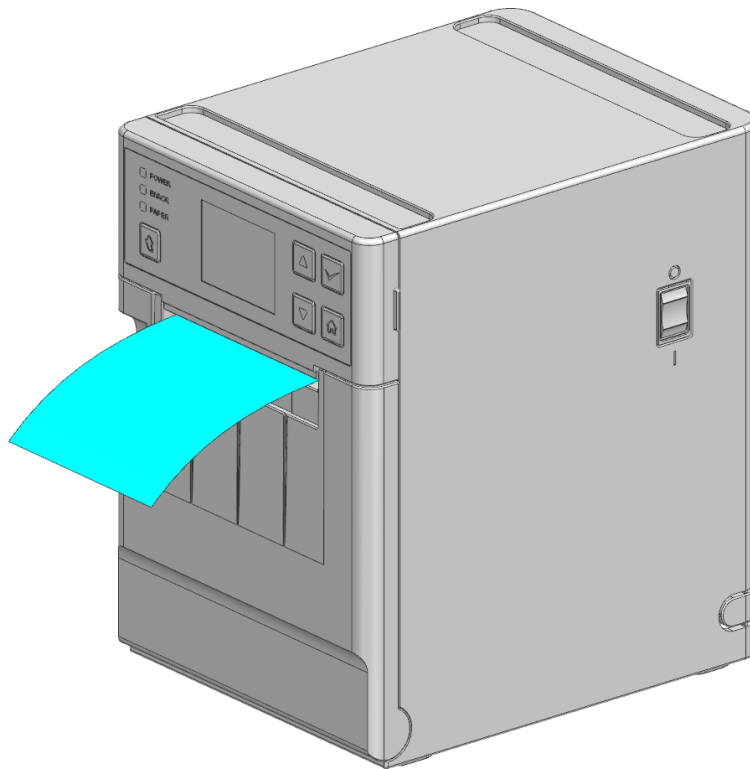


O



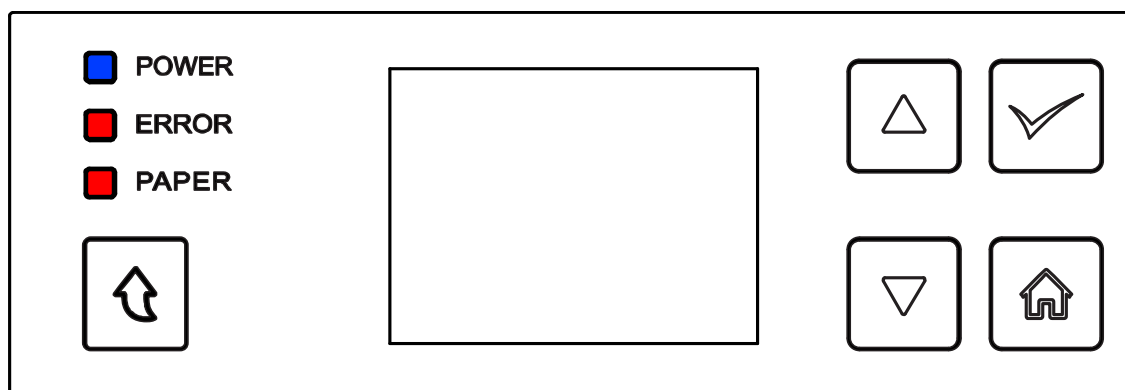
X






4) Pull out a small amount of paper as shown in the picture, and close the Printer Cover.



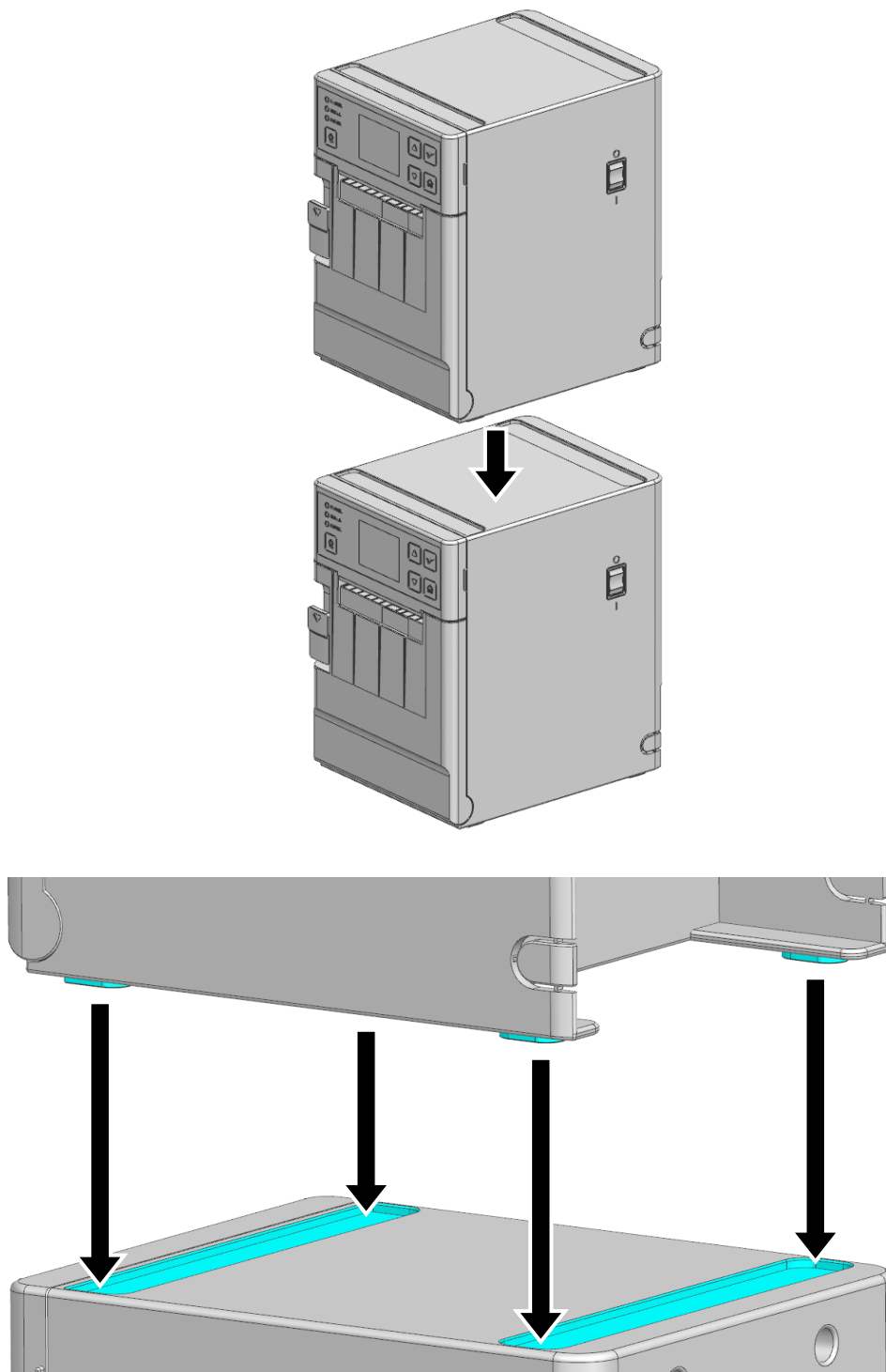
When closing the cover, hold down the center of printer cover firmly so that paper roll is loaded correctly.

3-4 Using Controller

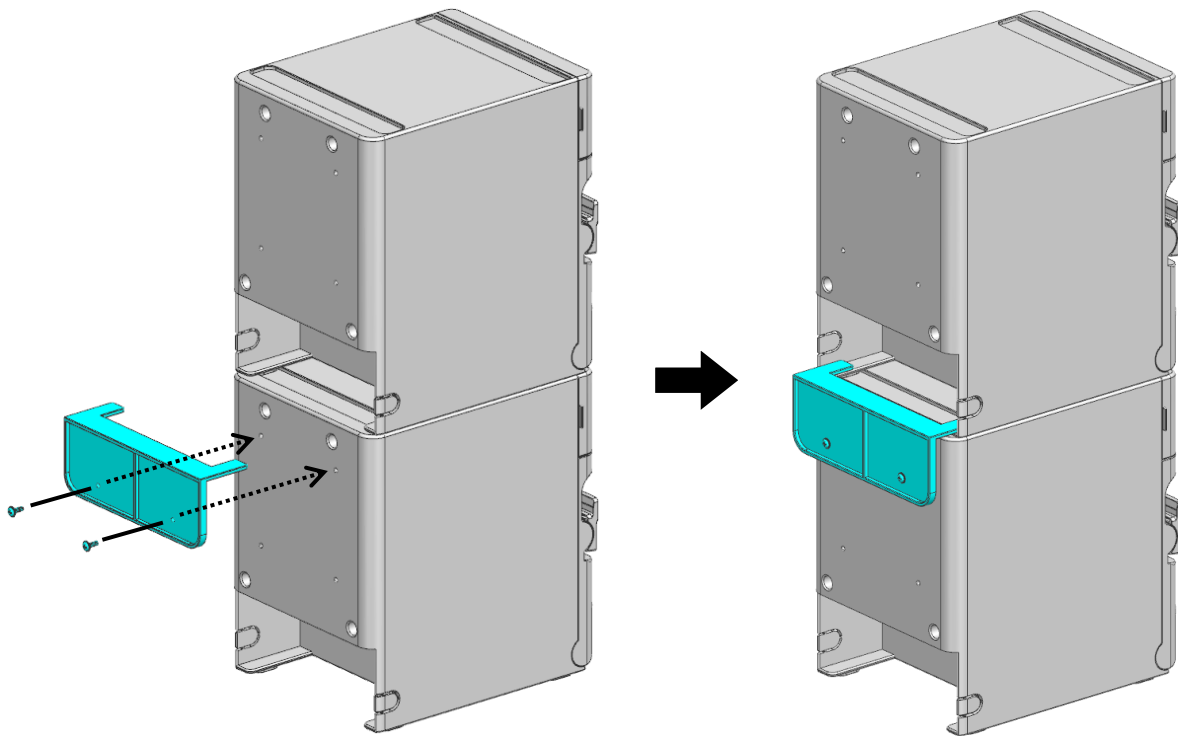


| Explanation | | |
|-------------|---|---|
| LED | POWER | The Power LED light is on whenever the printer is on. |
| | ERROR | Error LED is on when there is an error such as no paper roll, open cover, etc. |
| | PAPER | Paper LED is on when the paper roll is almost used up or there is no paper roll inside. Paper LED flickers when the machine is in a self-diagnosis stand-by or macro execution stand-by state. |
| Button |  | Press the Feed button once to output one line of the paper roll. Press the Feed button for more than 3 seconds to output the paper roll continuously. |
| |  | Used when selecting the LCD menu. - Pressing the button moves to the upper menu and increases the value of the function to be set. |
| |  | Used when selecting the LCD menu. - Pressing the button moves to the lower menu and decreases the value of the function to be set. |
| |  | Used to select the LCD menu. - Pressing the button selects the LCD menu or saves the selected settings to the printer. |
| |  | Used to return to the LCD main menu/execute an action. - When you press this button while operating the LCD menu, you will move to the main menu or execute the action selected in the menu. |

3-5 Stacking vertically in two tiers



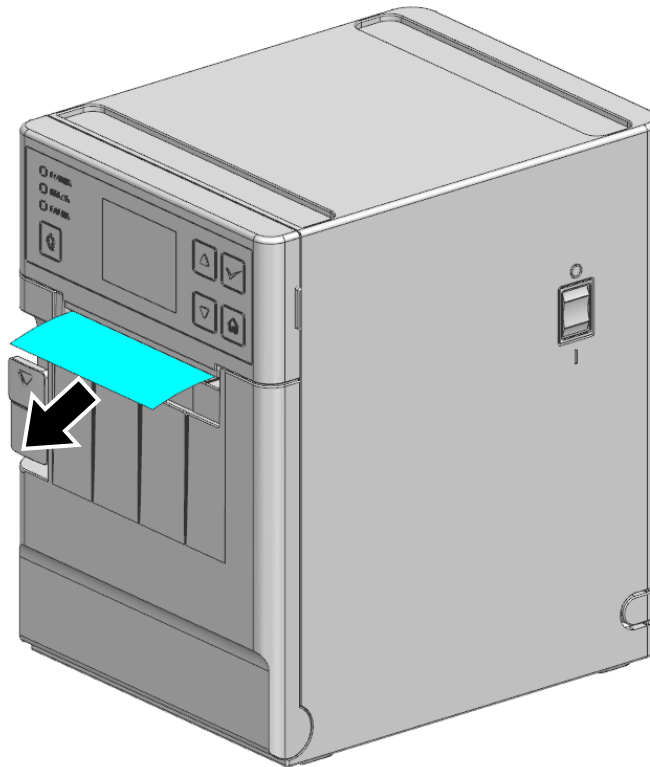
1) Stack two products vertically, aligning them with the grooves on the top of the product.



2) Mount the Stack-Plate to the back of the Product with the two included screws.

3-6 Using of Taken Sensor Function

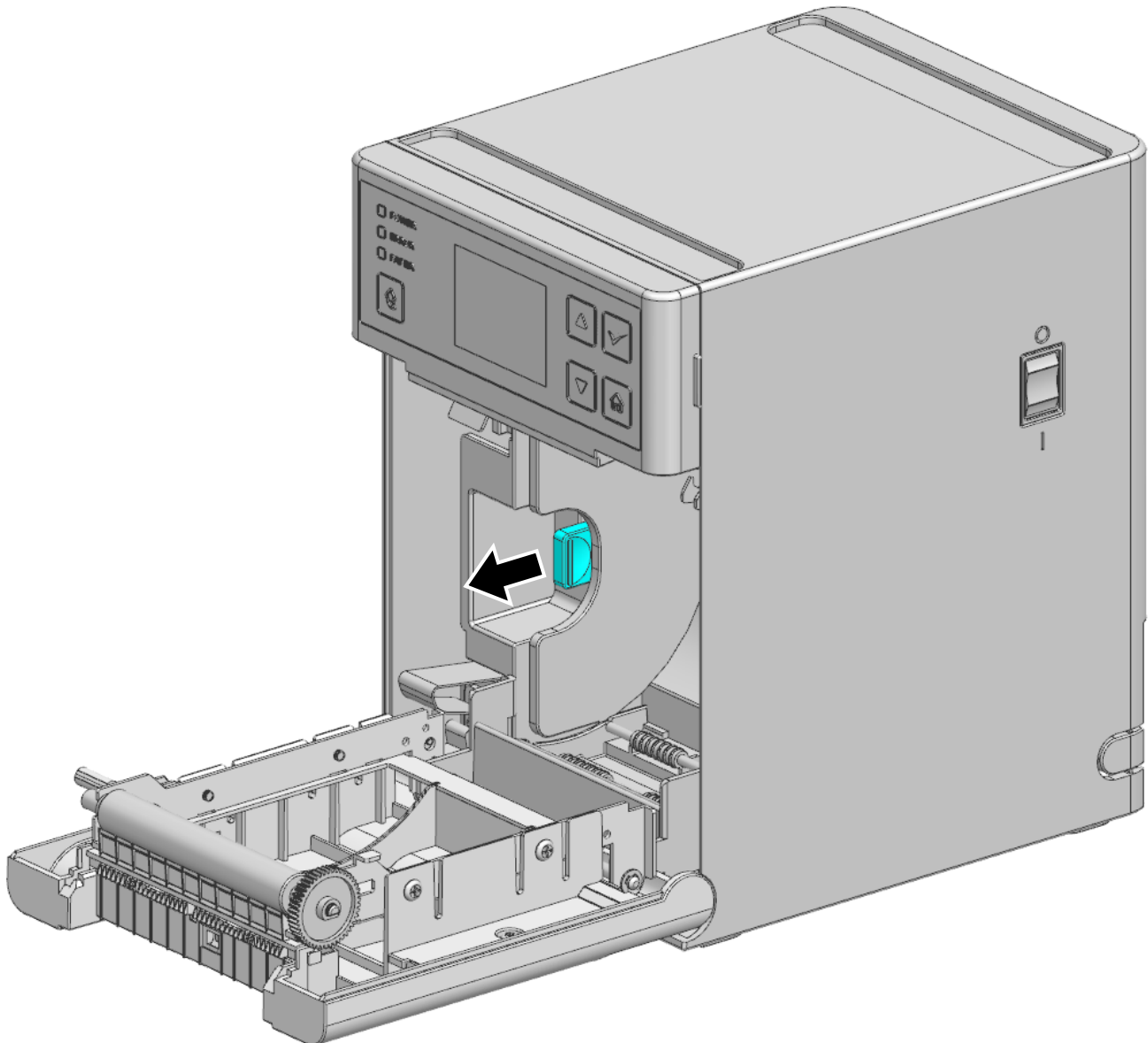
- When it comes to Taken Sensor, it will detect the paper not to feed next paper before user detach it.



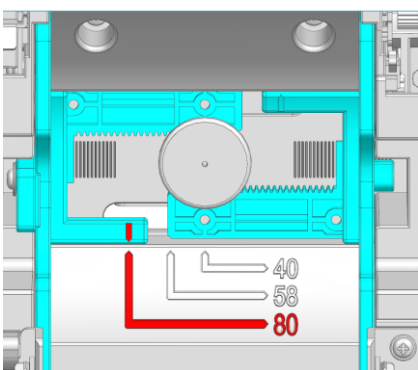
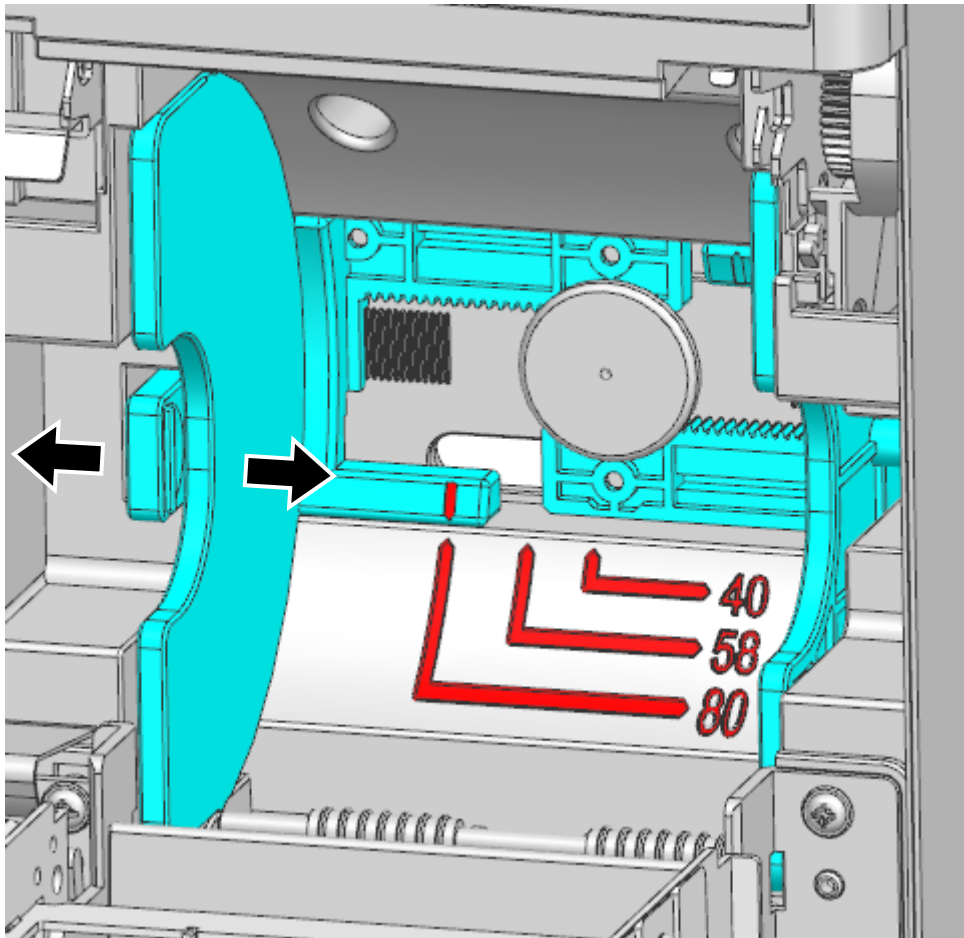
3-7 Changing Paper Width

- Adjust the position of the partition according to the paper width (Paper width: 40mm, 58mm, 80mm). Align the arrow on the partition with the position for use as shown in the image.

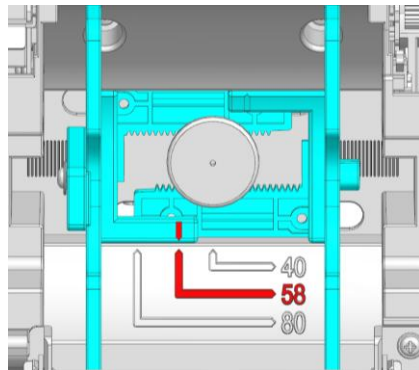
1) Open the printer cover and pull the partition lever.



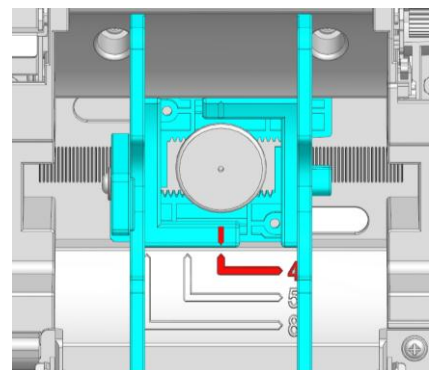
- 2) While pulling the lever, move the partition left or right to align the mark with the desired paper width.



<80mm>



<58mm>



<40mm>

- 3) Once aligned, release the partition lever to secure the partition in place.
- 4) Set the desired paper size in the LCD setting menu.
(Go to Setting -> Media -> Paper Width, and then select the desired print width)
- 5) Restart the printer before use.

4. Self-Test

The self-test checks whether the printer has any problems.

If the self-diagnostics reveal no error in the printer, please see other device or software.

If the printer does not run normally, please contact the place of purchase.



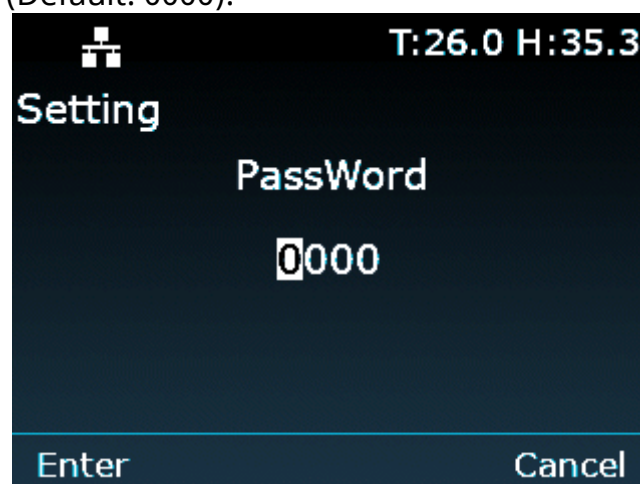
Do not open the top cover while the printer is running.

4-1 Self-Test through LCD Menu

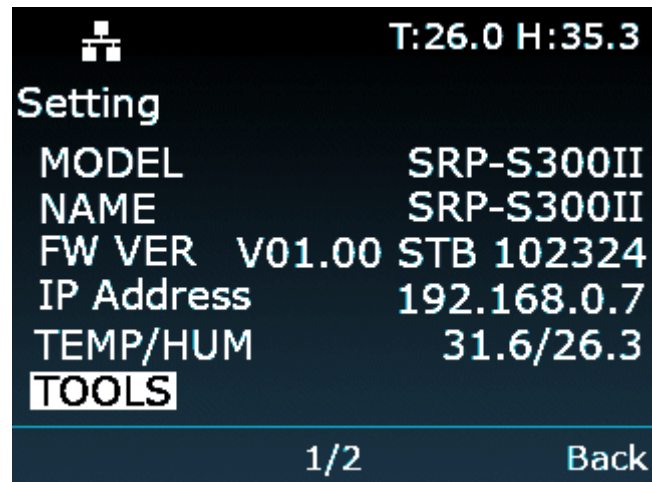
- 1) Select the Setting menu, and then press the Select button to enter the setting menu.



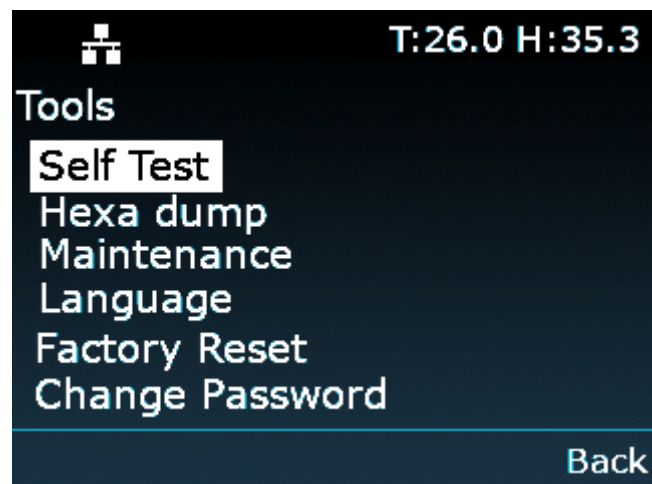
- 2) Enter the password (Default: 0000).



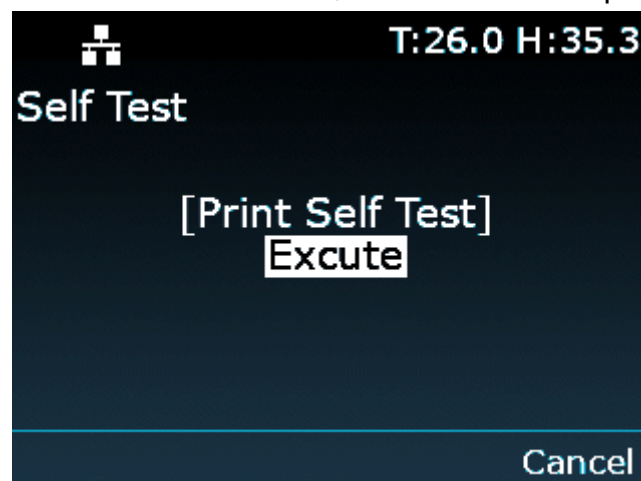
3) Select the TOOLS menu.



4) Enter the Self-Test menu.

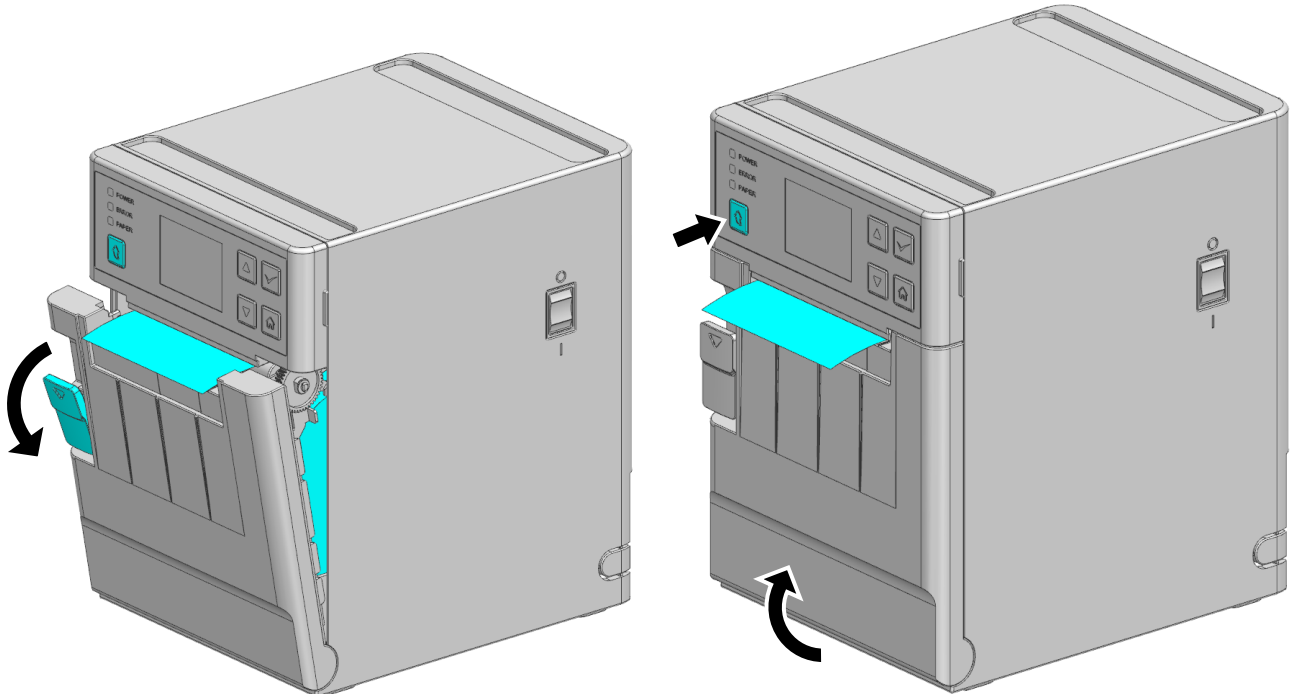


5) Press the select button to run the self-test, and the self-test page will be printed.



4-2 Self-Test Using the Feed Button

- 1) After the printer boots up, open the printer cover.
- 2) Self-test is started when paper is loaded, the FEED button is pressed, and the printer cover is closed.



- 3) The printer stops after printing the version information and setting status as shown below. (Paper error light keeps blinking.)

SELECT MODE BY PRESSING THE FEED BUTTON
Exit SELF-TEST : Less than 1 second
Mode Selection : 1 second or more

- 4) To select the Exit SELF-TEST mode, press the FEED button less than 1 second quickly.
To select the Mode Selection, press the FEED button more than 1 second.

4-2-1 If "Exit SELF-TEST" is selected

- ① The Self-Test ends automatically as it prints the following line and cuts the paper.

- COMPLETED -

- ② The printer goes into normal print mode upon completion of the Self-Test.

4-2-2 If "Mode Selection" is selected

- ① The printer is on standby after print out as shown below.

Mode Selection
0 : Exit
1 : VMSM Selection Mode
2 : Interface Setting
3 : Hexadecimal Dumping

- ② Press the Feed button to run the above function.
- ▶ Step 1(Select Options): press the button a number of times as shown by each menu.
 - ▶ Step 2(Enter Options): hold down the button for at least one second to apply each item selected.



If you select any items not listed above, the list of "Setting Mode Selection" will be printed again. Setting the mode will be canceled if no item is selected in Step 1.

4-2-3 If "VMSM Selection" is selected

① The following lines will be printed when the VMSM opens.

```
** VMSM Selection **  
0 : Save Setting and exit  
1 : Print current settings  
2 : Set Print Density  
3 : Set Print Speed  
4 : Set Cutting mode  
5 : Set Code Page  
6 : Set International Character set  
7 or more : None
```

② Press the Feed button to run the above function.

- ▶ Step 1(Select Options): press the button a number of times as shown by each menu.
- ▶ Step 2(Enter Options): hold down the button for at least one second to apply each item selected.



- If you select any items not listed above, the list of "VMSM Selection" will be printed again. Setting the mode will be canceled if no item is selected in Step 1.
- If the "0: Save settings and exit" function is not executed, The setting information is not stored in the printer.

③ Hold down the Feed button for at least 1 second to save the changes.
The following line will be printed before cutting the paper.

- COMPLETED -

5. LCD Menu




You can check the printer's status and settings on the LCD screen.



• Icons on top

| Icon | Description |
|------|--|
| | Bluetooth enabled, host device not connected |
| | Bluetooth enabled, host device connected |
| | Wireless LAN enabled, wireless LAN signal strength |
| | Wireless LAN enabled, AP not found |
| | Wireless LAN enabled, AP connection authentication error |
| | Wired LAN enabled |
| | No media |
| | Media cover open |
| | TPH overheated |
| T | Temperature inside the printer (Celsius) |
| H | Humidity inside the printer |

• **Main menu icons**

| Icon | Description |
|---|---|
|  | LCD brightness Setting 1) 100% 2) 75% 3) 50% 4) 25% |
|  | Volume Setting 1) 100% 2) 66% 3) 33% 4) 0%(Mute) |
|  | Settings (Default Password: 0000) 1) Tools 2) Media 3) Cutter 4) Sensor 5) Paper Save 6) Font 7) Interface |

• **Setting menu features**

| Function | Item | Setting Value |
|----------|-----------------|---------------|
| Tools | Self Test | Execute |
| | Hexa Dump | Start |
| | | Stop |
| | Factory Reset | Execute |
| | Change Password | Change |
| Media | Print Speed | 180mm/s |
| | | 170mm/s |
| | | 160mm/s |
| | | 150mm/s |
| | | 140mm/s |
| | | 130mm/s |
| | | 120mm/s |
| | Print Density | 110mm/s |
| | | 120% |
| | | 115% |
| | 110% | |
| | 105% | |
| | 100% | |

| | | |
|------------|-------------------|----------------------------|
| | | 95% |
| | | 90% |
| | | 85% |
| | | 80% |
| | | 75% |
| | Paper Width | 80mm |
| | | 58mm |
| | | 40mm |
| | Back Feed | Enable |
| Disable | | |
| Cutter | Type | Partial Cut |
| | | Full Cut |
| | | Program Cut |
| | | No Cut |
| | When Cover Close | Disable |
| Enable | | |
| Sensor | Type | Normal |
| | | BlackMark |
| | Taken | Enable |
| | | Disable |
| | Taken Counter | [1 ~ 5] |
| Paper Save | Level | Disable |
| | | Level 1 |
| | | Level 2 |
| | | Level 3 |
| | Cutter correction | Disable |
| | | Enable |
| | Auto Line Feed | Disable |
| Enable | | |
| Font | Default Size | Font A(12x24) |
| | | Font B(9x17) |
| | | Font C(9x24) |
| | Code Page | PC437(USA,Standard Europe) |
| | | Katakana(Japanese) |
| | | PC850(Multilingual) |
| | | PC860(Portuguese) |
| | | PC863(Canadian-French) |
| | | PC865(Nordic) |
| | | WPC1252(Latin1) |

| | | |
|--|-----------|----------------------------|
| | | PC866(Cyrillic) |
| | | PC852(Latin2) |
| | | PC858(Euro) |
| | | PC862(Israel) |
| | | PC864(Arabic) |
| | | THAI42(Thai) |
| | | WPC1253(Greek) |
| | | WPC1254(Turkish) |
| | | WPC1257(Baltic) |
| | | Farsi |
| | | WPC1251(Cyrillic) |
| | | PC737(Greek) |
| | | PC775(Baltic) |
| | | THAI14(Thai) |
| | | Hebrew Old Code |
| | | WPC1255(Hebrew) |
| | | THAI11(Thai) |
| | | THAI18(Thai) |
| | | PC855(Cyrillic) |
| | | PC857(Turkish) |
| | | PC928(Greek) |
| | | THAI16(Thai) |
| | | WPC1256(Arabic) |
| | | WPC1258(Vietnamese) |
| | | Khmer(Cambodia) |
| | | PC852e(Modifications) |
| | | PC864e(Modifications) |
| | | PC865e(Modifications) |
| | | PC866e(DTKII) |
| | | WPC1250(Czech) |
| | | PC866eII(Modifications) |
| | | TCVN-3(Vietnamese) |
| | | TCVN-3 Capital(Vietnamese) |
| | | VISCII(Vietnamese) |
| | | PC912(Albanian) |
| | Font Mode | Single Byte |
| | | KS-5601 |
| | | GB-2312 |
| | | BIG-5 |

| | | | | |
|----------------|------------------|-------------------|-------------------------------|--|
| | | SHIFT-JIS | | |
| | Double Byte Size | 24 x 24 | | |
| | | 18 x 24 | | |
| | THAI Font | 1 PASS | | |
| | | 3 PASS | | |
| | Zero Charcter | Disable | | |
| | | Enable | | |
| | Swap Font B/C | 9 x 17 | | |
| | | 9 x 24 | | |
| | ICS | U.S.A | | |
| | | France | | |
| | | Germany | | |
| | | U.K | | |
| | | Denmark I | | |
| | | Sweden | | |
| | | Italy | | |
| | | Spain I | | |
| | | Japan | | |
| | | Norway | | |
| Denmark II | | | | |
| Spain II | | | | |
| Latin Amemrica | | | | |
| Korea | | | | |
| Interface | Ethernet | IP Alloc. Method | Static | |
| | | | DHCP | |
| | | IP Address | [0.0.0.0] ~ [255.255.255.255] | |
| | | Subnet Mask | [0.0.0.0] ~ [255.255.255.255] | |
| | | GateWay | [0.0.0.0] ~ [255.255.255.255] | |
| | | DNS | [0.0.0.0] ~ [255.255.255.255] | |
| | | Port | [1024 ~ 32767] | |
| | | Inact. Time | [0 ~ 3600] | |
| | | Save Changes | Execute | |
| | | Fatory Reset | Execute | |
| | MAC | 00:15:94:00:00:00 | | |
| | WLAN | Version | V02.11(6301s) | |
| | | System Name | SRP-S300II_0001 | |
| | | Network Mode | Infrastructure | |
| | | | SOFT AP | |
| | Frequency | 2.4GHz | | |

| | | | | |
|-----------------|--------------|------------------|--------------------|-------------------------------|
| | | | 5GHz | |
| | | | 2.4GHz/5GHz | |
| | | | 5GHz/2.4GHz | |
| | | Authentication | | Open |
| | | | | Shared |
| | | | | WPA1-PSK |
| | | | | WPA2-PSK |
| | | | | WPA1-EAP |
| | | | WPA2-EAP | |
| | | Encription | | None |
| | | | | WEP64/128 |
| | | ESSID | | BIXOLON_AP |
| | | IP Alloc. Method | | Static |
| | | | | DHCP |
| | | IP Address | | [0.0.0.0] ~ [255.255.255.255] |
| | | Subnet Mask | | [0.0.0.0] ~ [255.255.255.255] |
| | | GateWay | | [0.0.0.0] ~ [255.255.255.255] |
| | | Inact. Time | | [0 ~ 3600] |
| | | Port | | [1 ~ 32767] |
| | | Save Changes | | Execute |
| | Fatory Reset | | Execute | |
| | MAC | | 00:15:94:00:00:00 | |
| | Bluetooth | Version | | 4.0.2 |
| | | Name | | SRP-S300II_0001 |
| | | Role mode | | Classic |
| | | | | BLE |
| | | Paring Mode | | PIN |
| | | | Numeric Comparison | |
| | | | SSP | |
| Pin Code | | | [0] ~ [9999] | |
| Conn. Mode | | | Mode 2 | |
| | | | Mode 3 | |
| | | | Mode 1 | |
| Auth.&Encry. | | | Enable | |
| | | | Disable | |
| Auto Connection | | Disable | | |
| | | Enable | | |
| Save Changes | | Execute | | |
| Fatory Reset | | Execute | | |

| | | | |
|--|--------|--------------|-------------------|
| | Serial | Device Addr. | 00:15:94:00:00:00 |
| | | Baud Rate | 9600 |
| | | | 19200 |
| | | | 38400 |
| | | | 57600 |
| | | | 115200 |
| | | | 2400 |
| | | | 4800 |
| | | Data bits | 8bits |
| | | | 7bits |
| | | Parity bits | NONE |
| | | | EVEN |
| | | | ODD |
| | | Flow Control | DTR/DSR |
| | | | XON/XOFF |

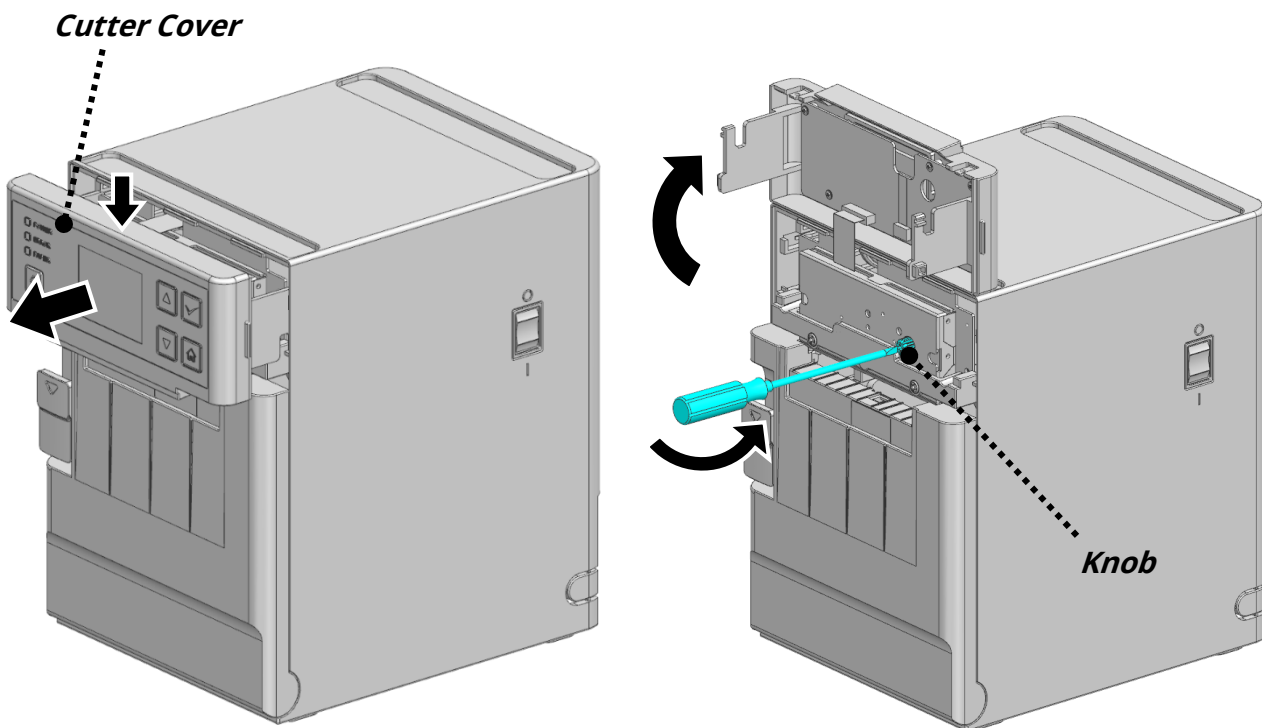
6. Maintenance

6-1 Paper Jam

- Never force the paper out in the event of a paper jam.

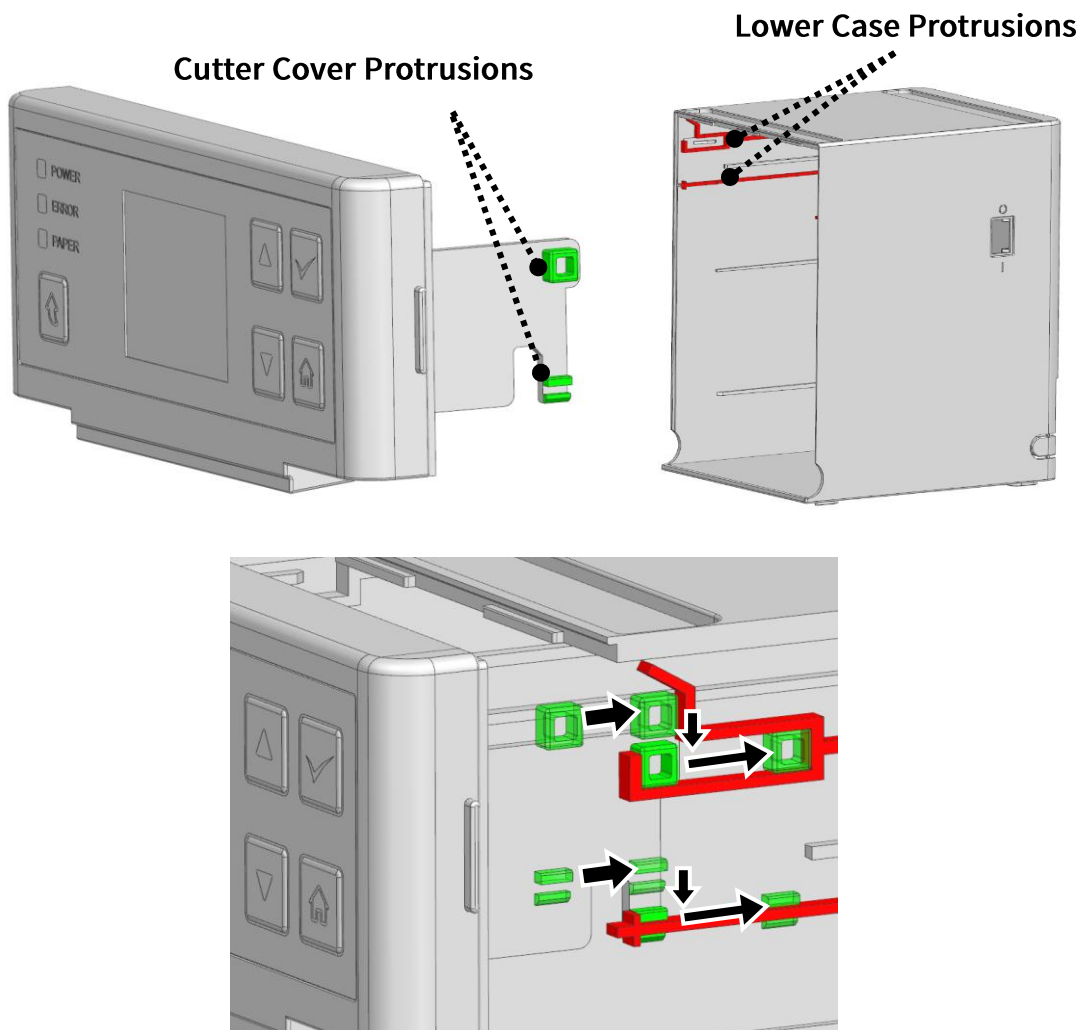
If paper is stuck, turn the printer ON/OFF and open the cover to remove the crumpled paper inside the printer. If the Printer Cover will not open, please follow the following instructions.

- 1) Turn the printer OFF.
- 2) Press the top of the cutter cover to loosen the assembly of the cutter cover, then pull it in the direction of the arrow.
- 3) Rotate the cutter cover in the direction of the arrow so that it goes over the top of the product.
- 4) Push the cover-open button and remove the jammed paper.



- 5) Put the Cutter Cover back in place.

6) Reassemble the removed cutter cover by engaging the protrusions on both sides of the cutter cover into the lower case protrusions as shown in the arrows.



7) Turn the printer ON and use it



**If the cover does not open, do not forcibly open it.
It may result in poor paper cutting or printer damage.**



- Placing your hand above the printer outlet may cause a paper jam.
- In case of a minor jam, it may be possible that the operating blade returns to the original position by turning the printer OFF and then back ON.

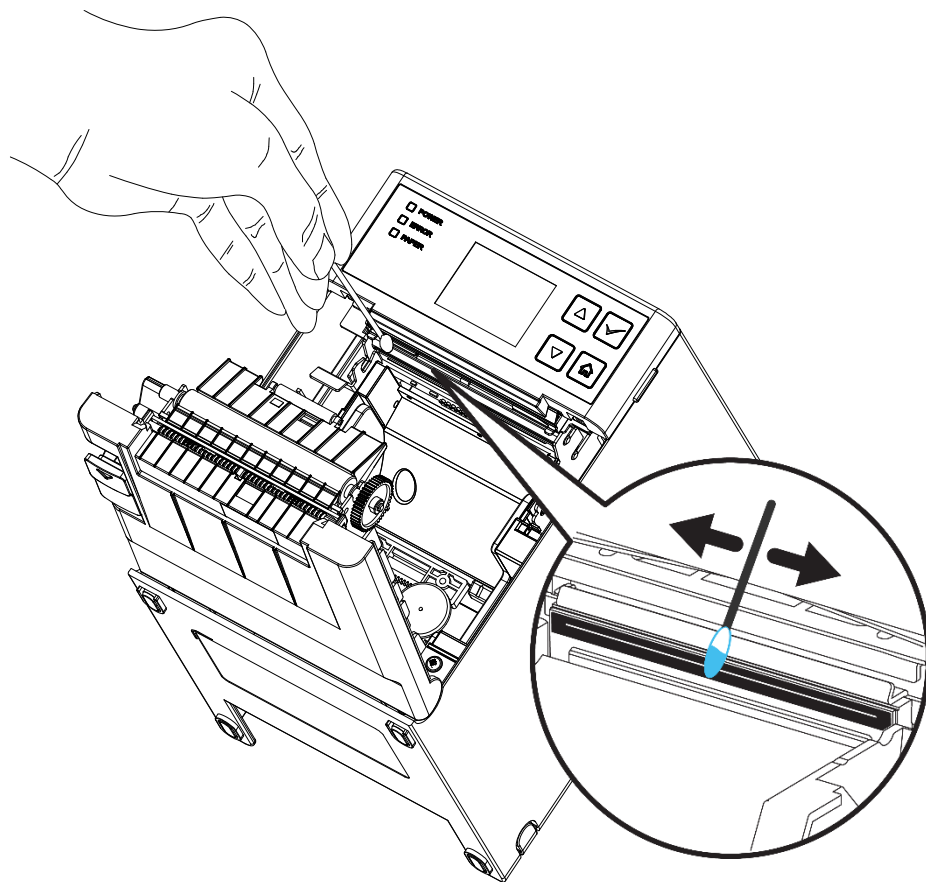
6-2 Cleaning Printer

- The presence of dust, foreign matter, adhesive matter, or other pollutants inside the printer's head and internal capacity may undermine printing quality.

It is recommended to clean printer at every paper roll change.

Periodic cleaning (every 3 months at minimum) is recommended to maintain print quality. It is recommended to clean after every 30 rolls when using Sticky, Re-stick, Linerless Extreme paper.

- 1) Open the Printer Cover and remove the paper currently in use.
- 2) Residue or contamination of TPH should be wiped out by alcohol for medical.
- 3) Clean the paper sensor and paper roller with a cotton swab or a dry cloth.
- 4) Insert a paper roll and close the Printer Cover.



- Be sure to clean after turning the printer off.
- Be careful not to leave scratches in the print head
The printer may be damaged.
- Print head is very hot while the printer is printing, so clean the printer after cooling it sufficiently with power off.
- Do not touch heated area of print-head when cleaning.
Personal injury may result from static electricity, etc.

7. Specifications

7-1 Printer Specifications

| | | |
|---------------------------------|---|--|
| Printing Method | Thermal Line Printing | |
| Dot Density | 203 dpi (8 dots/mm) | |
| Print Width | 80mm | 72mm |
| | 58mm | 48mm |
| | 40mm | 32mm |
| Paper Width | 79.5 ±0.5mm, 57.5 ±0.5mm, 39.5 ±0.5mm, | |
| Characters Per Line (Default) | 48(Font A), 64(Font B), 64(Font C) ※ For 80mm Roll Paper | |
| Printing Speed | Max. 180mm/sec | |
| Receive Buffer Size | 4Kbytes | |
| AC/DC Adapter Supply Voltage | Input Voltage | 100~240 VAC |
| | Frequency | 50/60 Hz |
| | Output Voltage | +24 VDC/2.5A |
| Environmental Conditions | Temperature | 0 ~ 40 °C(Operating) -20 ~ 60 °C(Storage) |
| | Humidity | 10 ~ 80 % RH(Operating) 10 ~ 90 % RH(Storage) ; Excluding papers |
| Life Span | Printer Head | Sticky, Re-stick, Linerless Extreme: 75km Receipt: 150km |
| | Auto Cutter | Sticky, Re-stick: 1,000,000 cuts Receipt: 3,000,000 cuts |



The specifications were determined based on operation at normal temperature using designated paper on default settings. They are subject to change depending on temperature or printing level. Printing speed may become slightly slower depending on the data transmission speed and the combination of commands.

7-2 Recommended Papers**Sticky, Restick, Linerless Extreme**

- Ricoh
- BL-RP040-10 (40mm), BL-RP058-10 (58mm), BL-RP080-10 (80mm)

- StickyPOS
- 40MMRL90-9000(40mm), 2CR-11 58X350(58mm) 2CR-11 80X350(80mm)

- MAXStick
- 2GO: MS2142402GO3S(58mm), MS3182402GO4S(80mm)
- PLUSD: MS1732290PLUSD HVHR (40mm), MS214170PLUSD (58mm), MS318170PLUSD (80mm), MS3183752GOPLUSD (80mm)
- X2: MS11732270X2HRHT (40mm), MS214150X2(58mm)

- Sato
- Restick: 585006411(80mm)
- Linerless Extreme: 585006451(80mm)

- Blumberg
- Linerless Extreme: A11649(58mm), A12978(80mm)

- Iconex
- Classic: 9023-1253, 9023-1232(80mm), 9023-1823, 9023-1397(58mm), 9023-1233, 9023-1818(40mm)
- Classic High Tack: 9023-1254(80mm), 9023-1500(58mm), 9023-1258(40mm)
- Classic High Temp: 9023-1267, 9023-1463 (80mm), 9023-1269(40mm)
- Ultralite: 9023-1866(80mm), 9023-1410(58mm), 9023-1865(40mm)
- Classic High Tack Plus: 9023-1846(80mm)
- Linerless Extreme (Snag Resistant): 9023-1873, 9023-1708(40mm)
- Linerless Extreme (Freshness Labeling): 9016-3227, 9016-3777, 9016-3257(40mm)

Receipt

- TF50KS-E (Paper Thickness: 65µm): Nippon Paper Industries Co., Ltd.
- PD 150R (Paper Thickness: 75µm): New Oji Paper Mfg, Co., Ltd.
- PD 160R (Paper Thickness: 75µm): New Oji Paper Mfg, Co., Ltd.
- P350 (Paper Thickness: 62µm): Kansaki Specialty Paper, Inc. (USA)
- P220AG (Paper Thickness: 65µm): Mitsubishi Paper Mills Limited
- P220A (Paper Thickness: 65µm): Mitsubishi Paper Mills Limited
- F5041(Paper Thickness: 65µm): Mitsubishi HitecPaper Flensburg GmbH



- The use of papers other than those recommended above may Cause damage to the printer's TPH or degrade the printing quality. **BIXOLON is not responsible for the damage caused by non-recommended papers.**
- **If you have to use other products, we recommend that you use papers with a similar level of quality to the recommended ones.**



If Linerless paper is built in the printer for a long period without operation, the platen roller and paper may stick together not to conduct operation. It is recommended to activate Head-Lock Auto-Release function via VMSM settings for operation, If it occurs under power on status. If the printer is not operated for longer than 1 day under the power off status, open the printer's cover and re-set up the paper.

