

BIXOLON

User's Manual

SPP-R310/L310

Mobile Printer
Ver. 1.07



www.bixolon.com

Copyright

© BIXOLON Co., Ltd. All rights reserved.

This user manual and all property of the product are protected under copyright law. It is strictly prohibited to copy, store, and transmit the whole or any part of the manual and any property of the product without the prior written approval of BIXOLON Co., Ltd. The information contained herein is designed only for use with this BIXOLON product. BIXOLON is not responsible for any direct or indirect damages, arising from or related to use of this information.

- The BIXOLON logo is the registered trademark of BIXOLON Co., Ltd.
- All other brand or product names are trademarks of their respective companies or organizations.

BIXOLON maintains ongoing efforts to enhance and upgrade the functions and quality of all our products.

In the following, product specifications and/or user manual content may be changed without prior notice.

Caution

Electronics, such as printers, are prone to damage by static electricity. Therefore, to protect the printer from static electricity, be sure to turn off the printer before connecting or disconnecting the cable to the rear of the printer. If the printer is damaged by static electricity, contact your local dealer.

Compliance information

This device complies with Part 15 of the FCC Rules. Operation is subject to the following two conditions: (1) This device may not cause harmful interference, and (2) This device must accept any interference received, including interference that may cause undesired operation.

This equipment has been tested and found to comply with the limits for a Class A digital device pursuant to Part 15 of the FCC Rules. These limits are designed to provide reasonable protection against harmful interference when the equipment is operated in a commercial environment. This equipment generates uses, and can radiate radio frequency energy and, if not installed and used in accordance with the instruction manual, may cause harmful interference to radio communications. Operation of this equipment in a residential area is likely to cause harmful interference in which case the user will be required to correct the interference at his own expense.

Caution: Exposure to Radio Frequency Radiation.

To comply with FCC RF exposure compliance requirements, a separation distance of at least 20 cm must be maintained between the antenna of this device and all persons.

Caution: Any Changes or modifications not expressly approved by the manufacturer could void the user's authority to operate the equipment.

Class A Digital Device: Wired Device

This Apparatus complies with class "A" limits for radio interference as specified in the Canadian department of communications radio interference regulations.

This Class A digital apparatus complies with Canadian ICES-003.

Informations de conformité

Appareil numérique de classe A: appareil filaire

Get appareil est conforme aux normes class "A" d'interference radio tel que specifier par ministre canadien des communications dans les reglements d'interference radio.

Cet appareil numérique de la classe A est conform à la norme NMB-003 du Canada.

Waste Electrical and Electric Equipment (WEEE)



This marking shown on the product or its literature, indicates that it should not be disposed with other household wastes at the end of its working life. To prevent possible harm to the environment or human health from uncontrolled waste disposal, please separate this from other types of wastes and recycle it responsibly to promote the sustainable reuse of material resources. Household users should contact either the retailer where they purchased this product, or their local government office, for details of where and how they can take this item for environmentally safe recycling. Business users should contact their supplier and check the terms and conditions of the purchase contract. This product should not be mixed with other commercial wastes for disposal.



WARNING & CAUTION

It describes death, physical injuries, serious financial losses, and damage to data etc. that can be caused to the user.

Do not connect multiple products to one single power outlet. Do not connect the product to a loose power outlet. Use only power outlets that meet the standard. Connect the power cord only to a grounded power outlet. **Noncompliance may cause electric shock or fire.**



Use only authentic products from BIXOLON. The company will not provide post-sale support for damage or other quality issues that any fake (refurbished) products may incur.



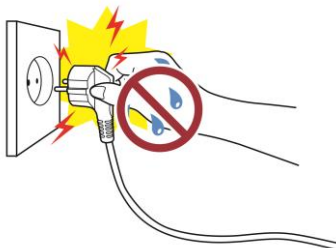
Do not bend or strain the power cord excessively. Push the power cord all the way into the power outlet lest it remain loose. Make sure to hold the cord tight when separating it from the power outlet. Do not remove the power cord while the product is in use. **Noncompliance may cause electric shock or fire.**



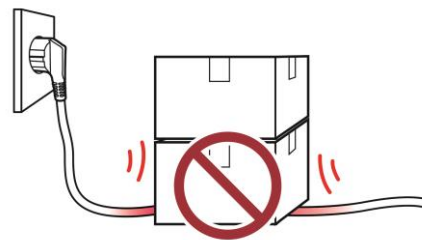
Keep small accessories or other packaging materials away from young children. Beware: children may swallow them. **Mishandling the product may incur injuries. If a child has swallowed any such thing, see a doctor at once.**



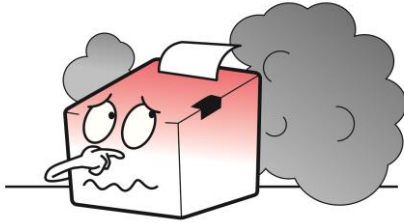
Do not touch the power cord with wet hands when pulling it from a power outlet. If the power plug or outlet is smeared with extraneous matter, wipe it with a dry cloth. **Noncompliance may cause electric shock or fire.**



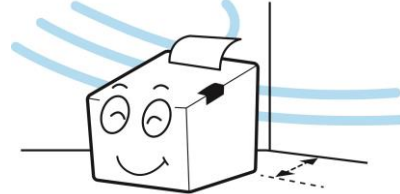
Do not allow the product to be damaged by heavy objects. **Noncompliance may cause electric shock or fire.**



If the product emits a strange sound, burning smell, or smoke, turn off the power immediately and unplug the power cord. If the product is dropped or its exterior is damaged, turn off the power immediately and unplug the power cord. Do not subject the product to shock. **It may start a fire. It may damage the product.**



Install the product in a well-ventilated place by keeping it a certain distance from the wall. The product installed in certain places such as where a lot of fine dust is generated, where the temperature is too high or too low, where there is a lot of moisture or water, and at airports or stations that are used continuously for a long time may suffer serious quality problems due to the influence of the surrounding environment. **An increase in internal temperature may start a fire. Be sure to contact the place of purchase before installing the product.**



Install the product in a fixed place preventing it from tipping over. When moving the product, turn off the power and disconnect all cables connected to the product, including the power cord. **It may damage the product.**



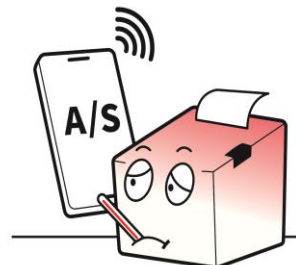
Never disassemble, repair, or modify the product at your own discretion. **When repair is necessary, contact the place of purchase.**



Do not let any foreign substances enter the product. Do not place heavy objects, liquids, or metals on the product. **It may start a fire. It may damage the product.**



If there is a problem with the product, please contact the place of purchase. In addition, Bixelon website (<http://www.bixelon.com>) provides product repair.





WARNING & CAUTION

It's to use the battery properly and prevent danger or physical damage, so please keep it.

Do not subject the battery to strong impact or throw it. Do not disassemble or modify the battery.

Do not allow battery leakage to come into contact with your eyes or skin. Keep the battery out of the reach of children and make sure that children do not swallow it. **Otherwise, it can cause the deterioration of battery performance and lifespan, overheating, rupture, or ignition. If it comes in contact with skin or is swallowed, consult a doctor immediately.**



If the battery is not to be used for a long time, disconnect it from the device being used and keep it in a dry place. Even if it is not used for a long time, charge it at least once every 6 months while in storage. Do not place the battery in places exposed to high temperatures (direct sunlight, inside a car, etc.) or where static electricity is generated (near home appliances, etc.), or near heat generating devices (heating device, etc.). Do not put the battery in a fire, microwave, or high pressure (pressure cooker, etc.). Make sure that the product does not come in contact with metals (coins, necklaces, etc.) or liquids (water, salt water, etc.). Stop using the battery if it develops an odor or any other abnormalities such as heat, discoloration, deformation, or leakage while using, storing, or charging the battery.



Do not be confused about the (+) and (-) terminals of the battery. Do not let metal contact the (+) and (-) terminals of the battery. If the (+) and (-) terminals of the battery are smeared with extraneous matter, wipe them clean with a piece of dry cloth. **Otherwise, it can cause deterioration of battery performance and lifespan, overheating, rupture, or ignition.**



The battery should only be charged using the adapter or charger provided by Bixelon, and if charging fails after the specified charging time (6 hours), stop charging. Do not charge the product longer than the charging time specified in this manual. **Otherwise, it can cause deterioration of battery performance and lifespan, overheating, rupture, or ignition.**



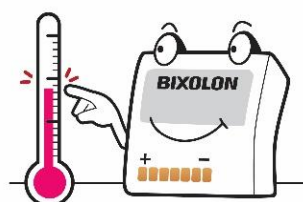
Store and use the battery within the proper operating temperature range.

- Charging: 0 - 40°C (32 - 104°F)

- In use: -15 - 50°C (5 - 122°F)

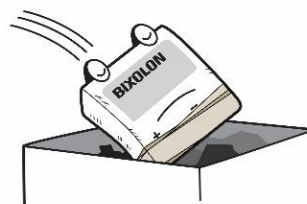
- Long-term storage (more than 30 days): 15 - 40°C (5 - 104°F)

Otherwise, it can cause deterioration of battery performance and lifespan, overheating, rupture, or ignition.



Be sure to turn off the power of the device the battery serves after use. When disposing of the battery, completely discharge the battery and insulate the terminals with tape, etc.

Dispose of it in a designated place according to the relevant laws and regulations of the country.



Manual Introduction

The manual provides basic information on the printer and describes how to install, use, and inspect it. To ensure your safety and prevent damage to your property, make sure you read the manual thoroughly before using the machine.

Manual Symbol Introduction



**Precaution &
Warning**

It describes death, physical injuries, serious financial losses, and damage to data etc. that can be caused to the user.



Note

It provides additional information on the function and performance of the product.

Product Introduction

Building on the reputation of BIXOLON's mobile printers, the 3-inch SPP-R310 (80 mm) offers a performance feature set and durable design for your field mobility solutions. Supporting media up to 80 mm wide, but still offering a light, ergonomic printer to handle or carry with protection to IP54 and rugged from multiple drops at 1.8 metre. Single button access for drop-in media loading and Easy Bluetooth Pairing™ of other devices via way of the embedded Near Field Communication (NFC) feature. Simple WLAN operation can also be achieved using the printer's Wi-Fi Direct operation. Be it automating your field force, mobilising your Retail workers or equipping your remote workers, the SRP-R310 has your receipt and ticket printing requirements covered.

The ergonomic design of the 3-inch (80 mm) SPP-L310 offers a small form factor, but large feature set for when you need to take label printing on-the-go. Supporting marketing leading programming languages, including BPL-Z™ and BPL-C™, and offering extensive memory for the storage and processing of your many formats, fonts or graphics, the 203 dpi Direct Thermal SPP-L310 provide simple Near Field Communication (NFC) auto-pairing and print speeds of up to 5 ips. Wired or wireless connectivity choices - Serial, USB, Bluetooth (MFi certified) or WLAN and the ability to handle both liner and linerless media ensures that the SPP-L310 can be used for all of your mobile labelling needs. Backed by BIXOLON's two-year warranty guarantee, and supported by its broad range of drivers, utilities and SDKs across various platforms, including Windows, Android and iOS, the SPP-L310 is the mobile worker's chosen brand.

Product Symbol Introduction

	AC
	DC
	USB
	NFC

Table of Contents

Copyright	2
WARNING & CAUTION	5
Manual Introduction	8
Product Introduction	9
1. Preparation	11
1-1 Components	11
1-2 Front	12
1-3 Rear	12
2. Installation & Usage	13
2-1 Battery Installation	13
2-2 Battery Charging	14
2-2-1 AC/DC Adapter	14
2-2-2 Using Single Battery Cradle (Optional)	15
2-2-3 Using Cigarette Lighter Charger (Optional)	15
2-2-4 Using Quad Battery Charger (Optional)	16
2-3 Media Installation	18
2-4 Peripherals Connection	19
2-5 Interface Cable Connection	20
3. Use	21
3-1 Using Belt Clip	21
3-2 Using Belt Strap (Optional)	22
3-3 Using Deattachable Media Holder (Optional, Only SPP-L310)	23
3-4 Using Control Panel	24
3-5 Using MSR (Optional, Only SPP-R310)	25
4. Self-Test	26
5. Label Printing Function	27
5-1 Label Function Setting	27
5-2 Auto Calibration Function	28
6. Printer Cleaning	29
7. Appendix	30
7-1 Printer Specifications	30
7-2 Label Types Specifications	32
7-3 Recommended Media	32

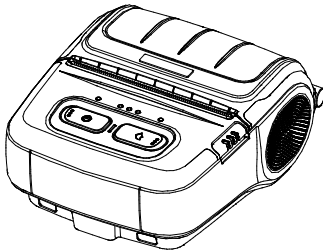
1. Preparation

1-1 Components

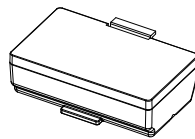


- If any items are missing, contact the place of purchase.
- The image may differ from the actual product.

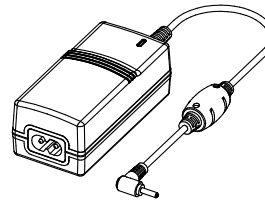
※ Basic items



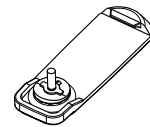
SPP-R310/L310



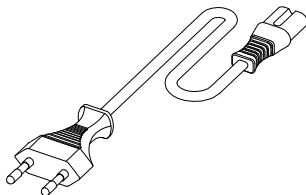
Battery Pack



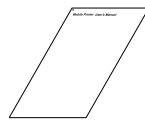
Battery Charger



Belt Clip

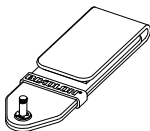


Power Cord

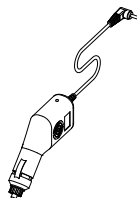


Quick Manual

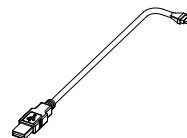
※ Optional items



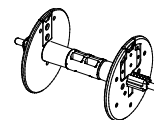
Belt Strap



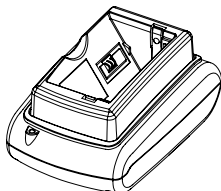
Cigarette Lighter
Charger



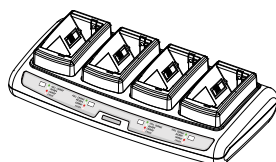
Interface Cable



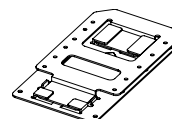
Deattachable
Media Holder
(PPH-L310)



Single Battery
Cradle

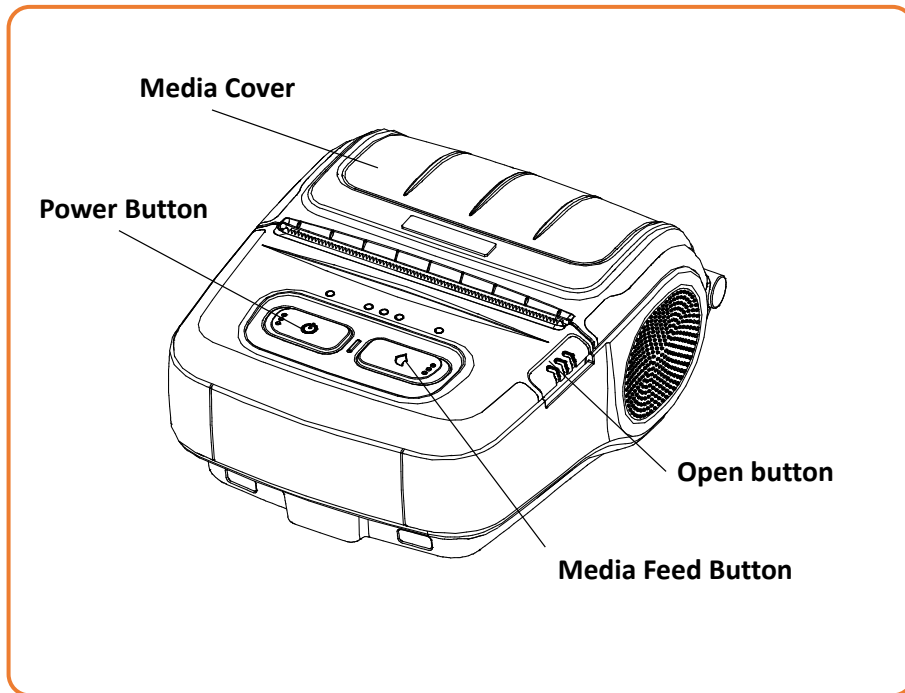


Quad Battery
Charger

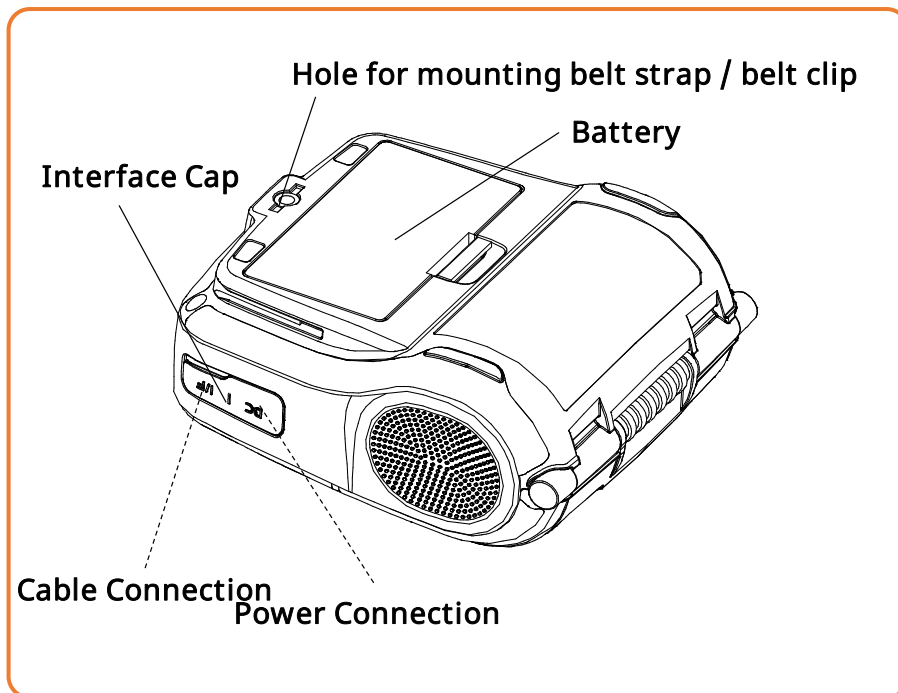


Wall Mount
(RWM-350)
(for Quad Battery
Charger)

1-2 Front

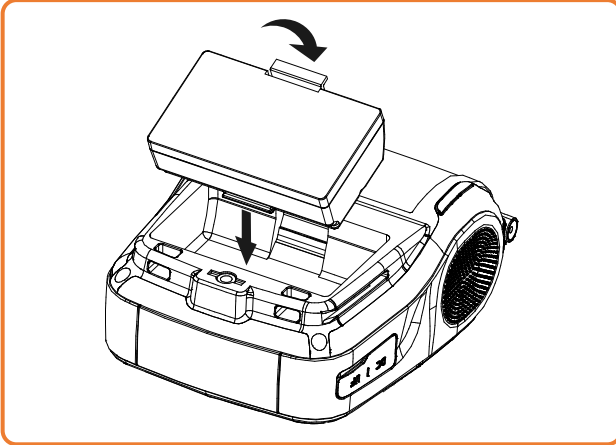


1-3 Rear



2. Installation & Usage

2-1 Battery Installation



- 1) Insert the battery in the bottom of the printer, and ensure that you align the battery hook properly.
- 2) Push the battery into the slot until you hear it snap in place.



Since the battery is partially charged at the time of purchase, charge the battery prior to product use. (Use the battery charger or the optional Single battery cradle/Quad battery charger.)



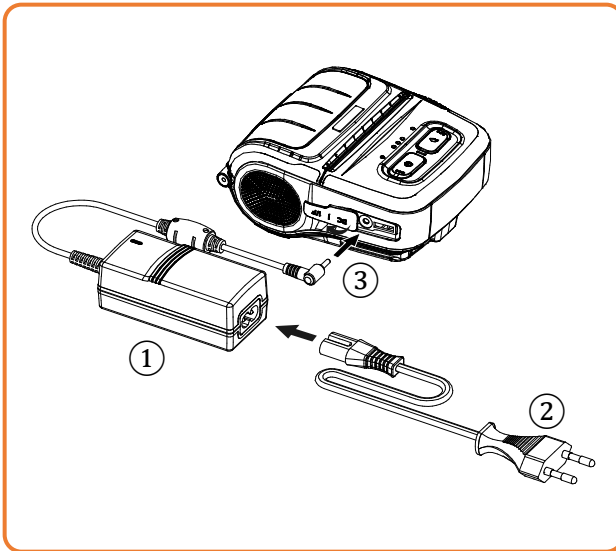
- Be sure to turn off the printer before connecting the power cord to the printer. This can cause serious electrical damage and bodily injury.
- Do not operate the printer and power supply in a humid environment. This can cause serious electrical damage and bodily injury.

2-2 Battery Charging



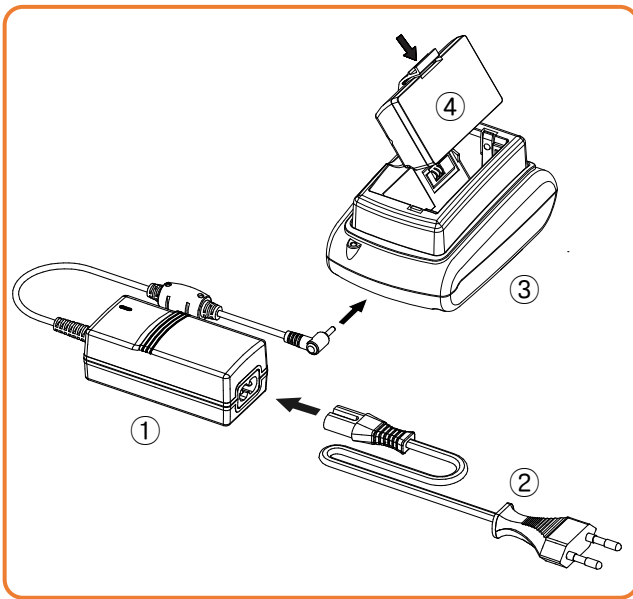
- Charge the battery only after disconnecting the power to your device.
- Use only genuine products supplied by Bixolon.
Otherwise, the product may malfunction or there is a risk of personal injury.

2-2-1 AC/DC Adapter



- 1) Turn off the printer power.
- 2) Connect the power cord ② to the battery charger ①, and then connect AC power.
- 3) Open the external interface cap in the direction of ③.
- 4) Connect the battery charger to the power connector.

2-2-2 Using Single Battery Cradle (Optional)

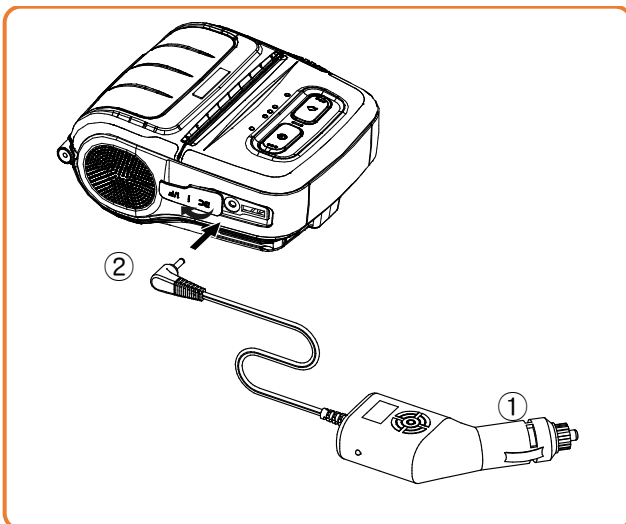


- 1) Connect the power cord ② to the battery charger ①.
- 2) Connect the battery charger ① to the power connector of the single battery cradle ③.
- 3) Plug the power cord ② into an electrical outlet.
- 4) Insert the battery ④ into the single battery cradle ③ a snapping sound is heard.



You must use the battery charger provided by BIXOLON to use the singles battery charger. (AC/DC adapter is not available)

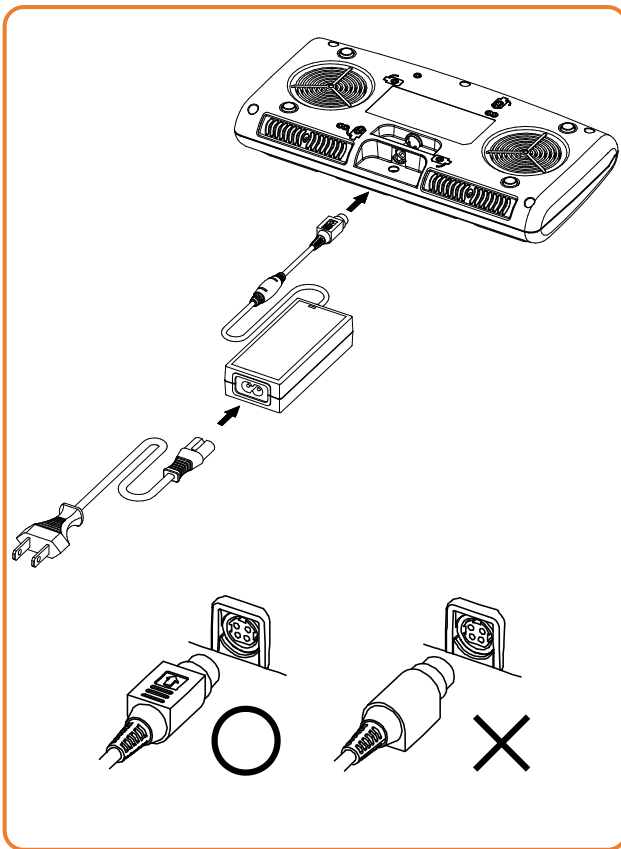
2-2-3 Using Cigarette Lighter Charger (Optional)



- 1) Turn off the power to the printer.
- 2) Connect the cigarette lighter charger ① to your car's cigarette lighter jack.
- 3) Open the external interface protection cap in the direction of ②.
- 4) Connect the cigarette lighter charger to the power connector.

2-2-4 Using Quad Battery Charger (Optional)

2-2-4-1 Connecting the cables

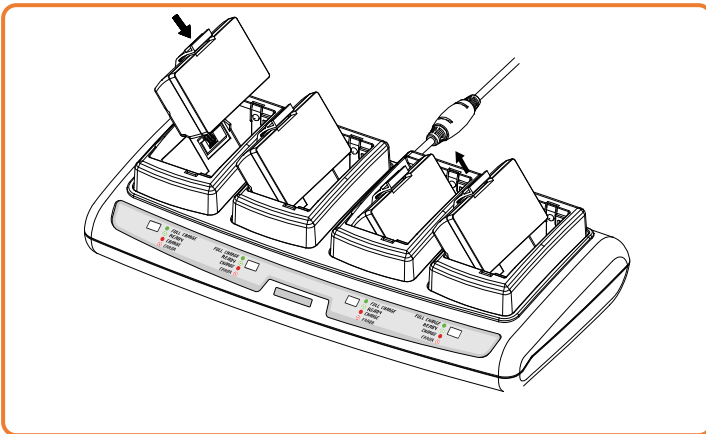


- 1) Connect the power cord to the adaptor, and Connect the adaptor to the power connector of the quad battery charger.
- 2) Plug the power cord into a power Outlet. Input power is 100 ~ 240VAC, 50/60Hz, 1.0A.
- 3) When the power is supplied, the yellow, green and red LEDs are on for three seconds and do the self-test.



Use only designated AC/DC adaptor. (12VDC, 3A)

2-2-4-2 Charging Battery (Printer)



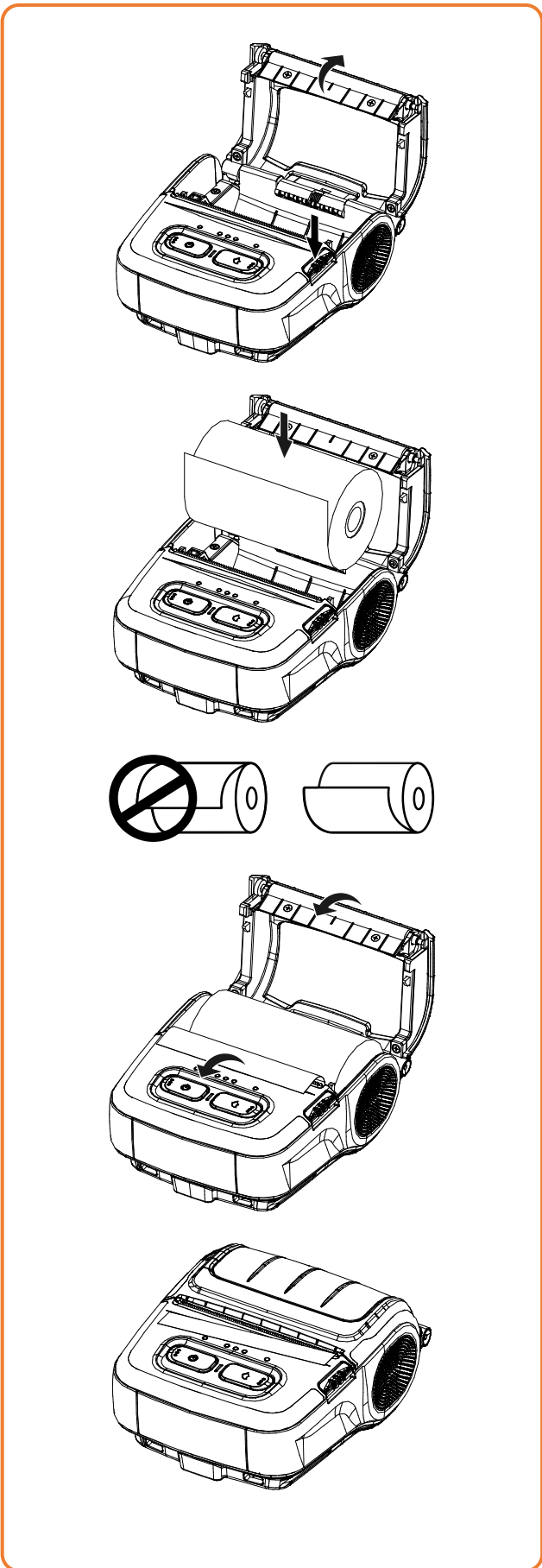
- 1) Insert the battery into the Quad charger as shown in the figure on the left.
- 2) Gently slide the battery until it reaches the bottom of the charger.
- 3) Charging starts as soon as the battery is completely inserted.
- 4) After charging, remove the battery from the Quad charger.

LED	Charge Status	Charge Time
Red LED On	Charging	2.5 hours
Green LED Blinking	Over 80% Charged	
Green LED On	Fully Charged	
Red LED Blinking	Error Replace or Reinstall Battery	



- If the red lamp of the charger blinks, install the battery again.
- If the red lamp continues to blink despite several attempts (4 ~ 5 times) to install the battery, contact your local dealer.
- The charging time may vary depending on the type of the charger or ambient temperature.

2-3 Media Installation



1) Press the Open button to open the media cover.

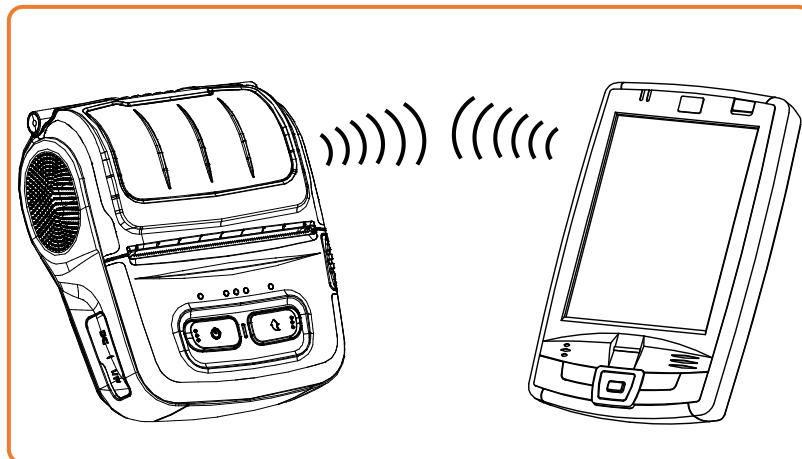
2) Insert the media as shown.
(Remove the empty core.)

3) Align the media as shown.

4) Pull out the media as shown and close the media cover.

5) Tear off any excess media toward the side of the printer.

2-4 Peripherals Connection



- 1) The printer can be connected to devices equipped with Bluetooth communication capacity (PDAs, PCs, etc.).
- 2) Use the Bluetooth connection function supported by the device to connect to the printer. The NFC tag built into the printer enables automatic pairing with devices.



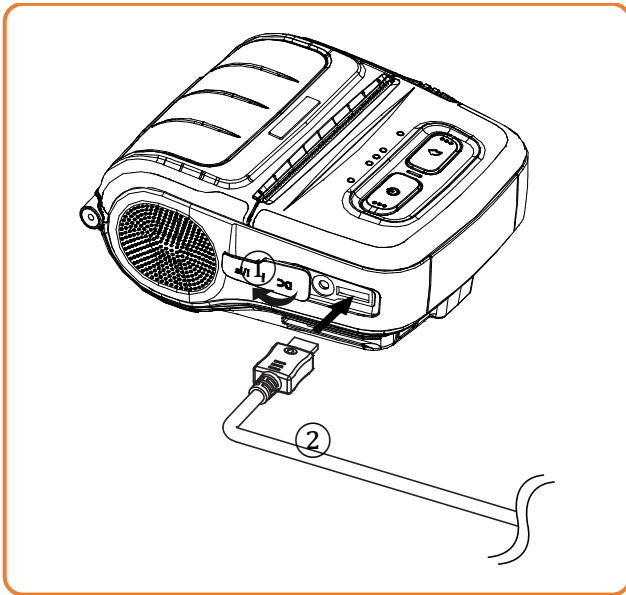
- Tap your host device to logo on the side of the printer for NFC auto pairing. (📱)
- The device must support NFC Auto Pairing.
It may display a message that the device cannot be connected as NFC Auto Pairing is supported up to the Bluetooth pairing and the devices must be connected manually, but this is normal.

- 3) The printer can be connected to other stations, such as PDAs and PCs supporting wireless LAN communication in Ad-hoc mode, Soft AP mode and AP in Infrastructure mode.



- Refer to the Bluetooth & Wi-Fi Connection Manual for detailed information on its connection.
- You can check the bluetooth environment (authentication, encryption, connection mode) and the wireless LAN environment (IP, SSID, authentication, encryption) via the self-test page.

2-5 Interface Cable Connection



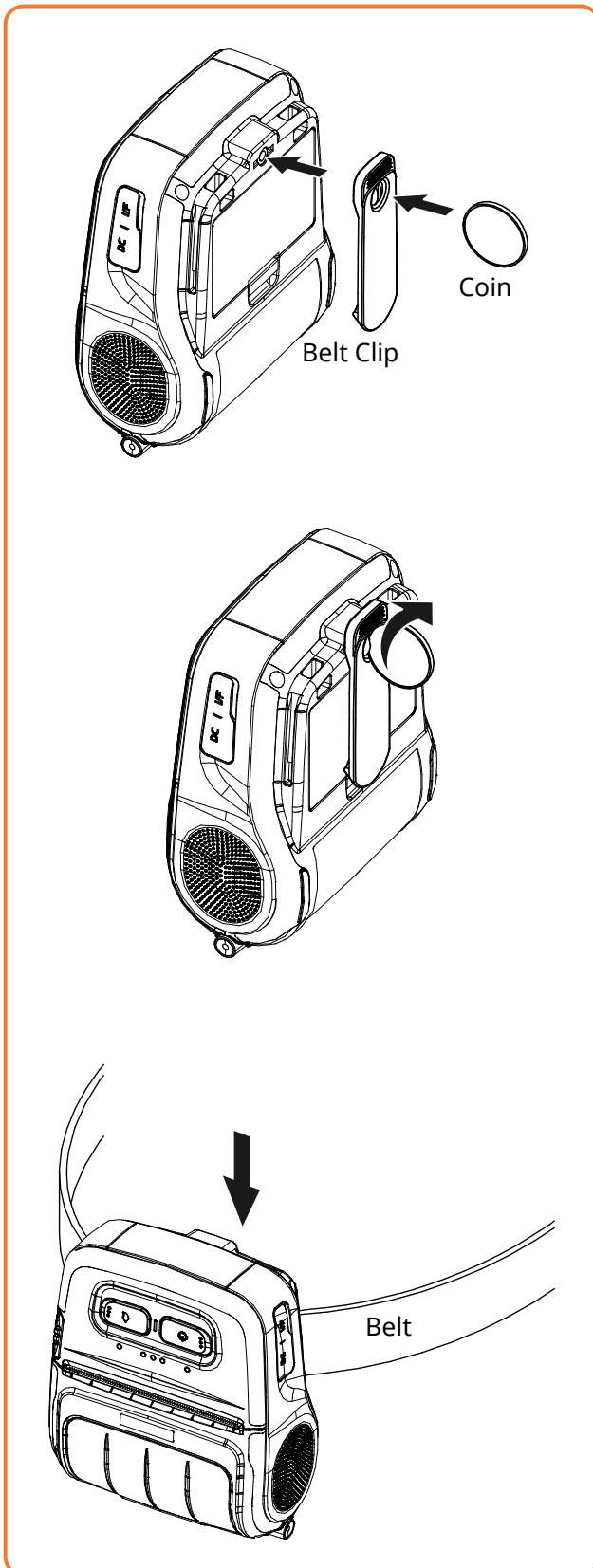
- 1) Open the Interface Cap ①.
- 2) Connect the external communication cable (optional) ② to the cable connector of the printer.
- 3) Connect the interface cable to the USB port of the device (PDAs, PCs, etc.).



- The interface cable that can be connected with the printer is available in both USB and Serial type. Refer to the service manual for detailed interface cable specifications.
- Use only the cables (optional) provided by BIXOLON.

3. Use

3-1 Using Belt Clip

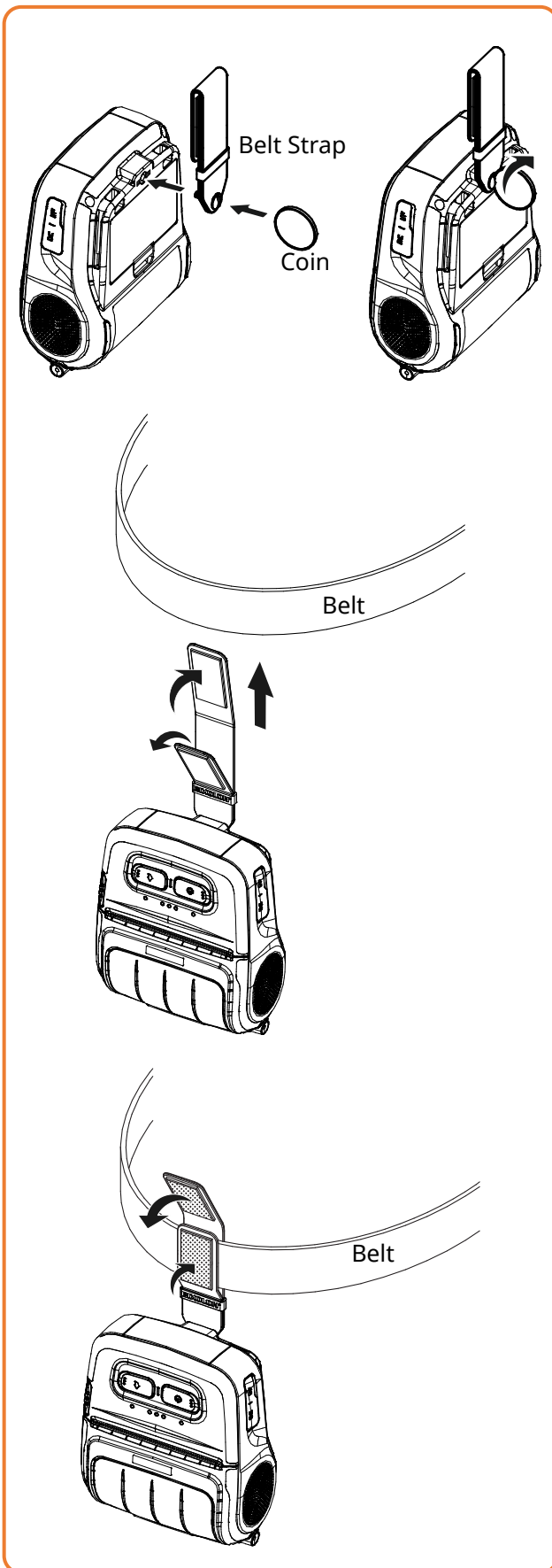


1) Insert the belt clip screw to the belt clip mounting hole.

2) Tighten the screw of the belt clip with an object like a coin as shown. (Be careful to tighten the screw in the correct direction.)

3) Slide the clip over the belt.

3-2 Using Belt Strap (Optional)



1) Insert the belt strap screw into the belt strap hole.

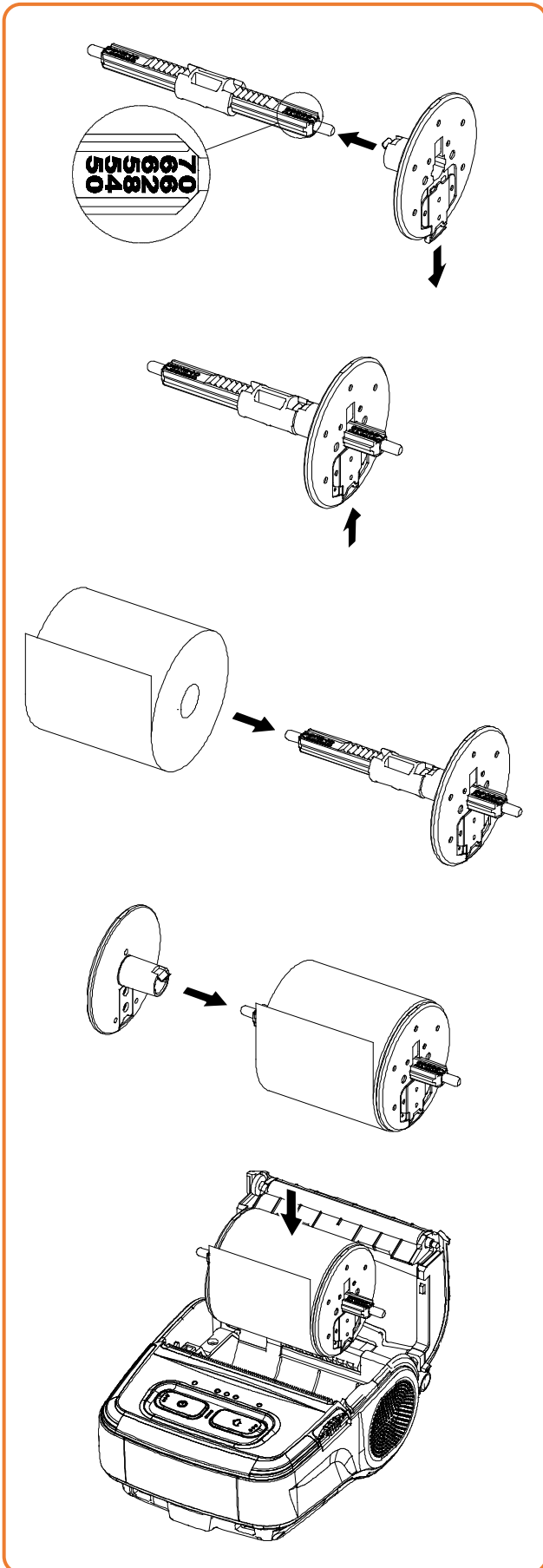
2) Use a coin to tighten the belt strap screw as shown in the image.

3) Unfasten the belt strap Velcro.

4) Slide the belt strap over a belt.

5) Close the Velcro as shown in the image.

3-3 Using Deattachable Media Holder (Optional, Only SPP-L310)



1) Release the disk lock and insert it into the spindle as shown in the picture. (Position the disc so that the media width is equal to the scale on the spindle.)

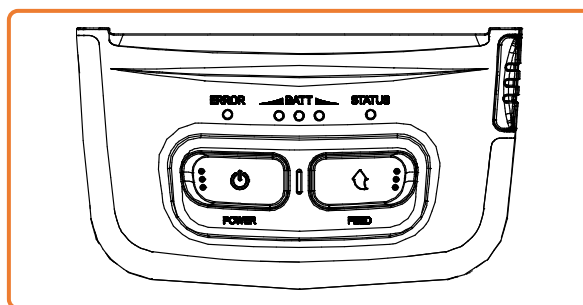
2) After inserting the disc into the spindle, engage the locking device.

3) Load the media onto the spindle as shown.

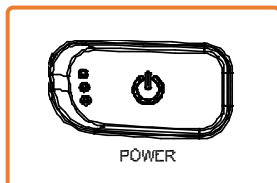
4) After inserting the rest of the disks, fasten the lock.

5) Insert the media holder as shown.

3-4 Using Control Panel



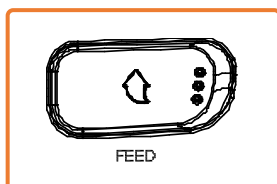
• Power Button



This button is used to turn the printer on and off.

- 1) When the printer is off, press this button for approximately 2 seconds to turn on the power.
- 2) When the printer is on, press this button for approximately 2 seconds to turn off the power.

• Media Feed Button

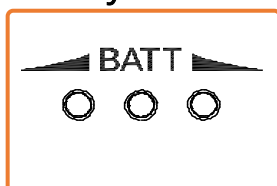


To feed media manually, press this button.

In addition, self-testing and Hexadecimal Dumping can be done.

- 1) Refer to "4. Self-Test" for self-test information.
- 2) Refer to the service manual regarding Hexadecimal Dumping.

• Battery Status LED (Blue or Red)



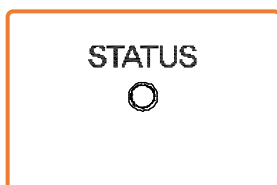
- 1) If three blue LEDs are lit, the battery is fully charged.
- 2) If two blue LEDs are lit, the battery is half charged.
- 3) If one blue LED is lit, the battery is at the lowest charge level.
- 4) If the red LED is lit, the battery must be charged or replaced.

• Error LED (Left-sided)



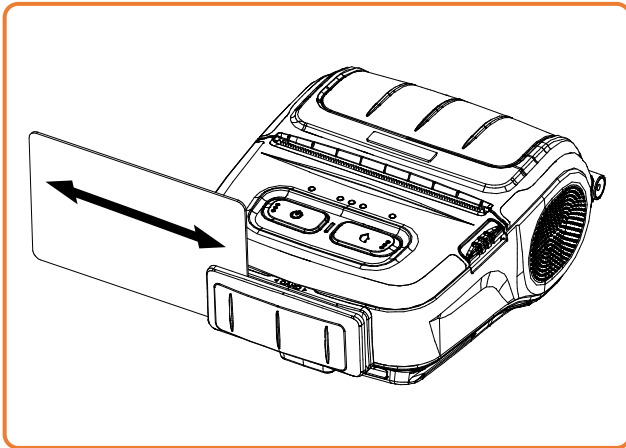
- 1) If the red LED is lit, the media cover is open.
- 2) If the red LED is blinking, either the media has been fully used or the print head is overheated. (Replace the roll of media or turn off the printer for at least 10 minutes.)
- 3) If the red LED continues to blink, it may indicate a more serious problem with the product. Call your authorized service dealer.

• Bluetooth & Wireless LAN Lamp (Right-sided)



- 1) When using Bluetooth
If the printer is ready for wireless communication with any Bluetooth, the green lamp as well as the battery status lamp is turned on.
- 2) When using wireless LAN
The right indicator shows the signal strength from wireless LAN. The green lamp blinks for acceptable signal strength while the red lamp blinks for weak signal strength.
 - In power save mode, only the Status lamp is lit.

3-5 Using MSR (Optional, Only SPP-R310)



Insert the card as shown in the image and swipe in the direction of the arrow. (can be done in both directions)



If the card does not register, first check to see if it is properly aligned. When swiping the card, the recommended swiping speed is 100 ~ 1200 mm/sec.

4. Self-Test

Run the self-test when you set the printer or when you encounter a problem, and check the following.

- Control Circuit, Mechanisms, Print Quality, ROM Version, and Memory Switch Settings


If no issue is found with the printer after running the self-test, examine the other devices or peripherals and software. This function is independent of such other devices and software.

• Self-Test Instructions

- 1) Turn the printer power off and close the printer media cover.
- 2) Press and hold the media feed button and power button simultaneously to turn on the printer.
- 3) After printing begins, release the two buttons.
- 4) After the information is printed out, the self test is automatically terminated

• Self-Test Sample (SPP-L310)

BIXOLON SPP-L310 CONFIGURATION	
FIRMWARE VERSION	: V01.00 STD 010118
EMULATION	: SLCS & BPL-Z & BPL-C
PRINT DARKNESS	: 0/30
PRINT SPEED	: 5 IPS
TEAR OFF VALUE	: +000 DOT
TEAR OPTION	: TEAR-OFF
PRINT OFFSET	: +0000 DOT
POWER-UP ACTION	: NO ACTION
MEDIA TYPE	: BLACKMARK PAPER(REAR)
SENSOR TYPE	: REAR REFLECT
PRINT METHOD	: DIRECT THERMAL
LABEL LENGTH	: 1013 DOT
LABEL WIDTH	: 576 DOT
BAUD RATE	: 115200
PARITY	: NONE
DATA BIT(S)	: 8
STOP BIT(S)	: 1
HAND SHAKING	: HARDWARE
USB SERIAL NUMBER	: 0000000000001
BPL-Z CODEPAGE	: CP-850(SBE. USA-1 CHARSET)
SLCS CODEPAGE	: WCP1252-LATIN1
SLCS ICS	: U.S.A
CONFIGURATION CONTROL STATUS	
PRINT SPEED	: COMMAND
PRINT DARKNESS	: COMMAND
PRINT WIDTH	: COMMAND
PRINT OFFSET	: COMMAND
TEAR OFF	: COMMAND
MEDIA TYPE	: COMMAND
LANGUAGE	: COMMAND

RF INTERFACE STATUS (BT)	
BLUETOOTH F/W VER	: 2.0.4
MAC ADDRESS	
	
74F07DE3D121	
FRIENDLY NAME	: SPP-L310
MODE	: CLASSIC
AUTH & ENCRYPT	: ENABLED
CONNECTION MODE	: 2

5. Label Printing Function

5-1 Label Function Setting

- Label media and black mark media available at the label mode.
The SPP-R310 is set to receipt mode and the SPP-L310 is set to label mode by default.

- **How to set label mode and receipt mode**
 - 1) Turn on the printer power.
 - 2) Open the media cover and press and hold down the media feed button for longer than two seconds.
 - 3) After the buzzer tone is emitted, insert media and close the cover.
 - 4) Repeat the steps above to return to receipt mode.
 - * SPP-L310 prints out the following message when switching to Label Mode.
 - Gap mode : FEED button
 - BlackMark mode : POWER button

Press the FEED button to switch to gap mode, and press the Power button to switch to black mark mode. The SPP-R310 automatically sets itself according to the position of the sensor built into the printer.

- **Setting Via Utility**

SPP-R310 can be set in Unified Utility and SPP-L310 can be set in Unified Label Utility.

5-2 Auto Calibration Function

- The label printing function requires the recognition of label media gaps and black mark media black bar in order to print. If label media is not properly recognized, use the auto calibration function below.

- **SPP-R310 Auto Calibration**

- 1) Turn the printer power off while in label mode.
- 2) Press and hold down the media feed button and then press the power button.
- 3) After the following printout is outputted, press the power button to perform auto calibration.

Select the mode

Auto Calibration: Power Button

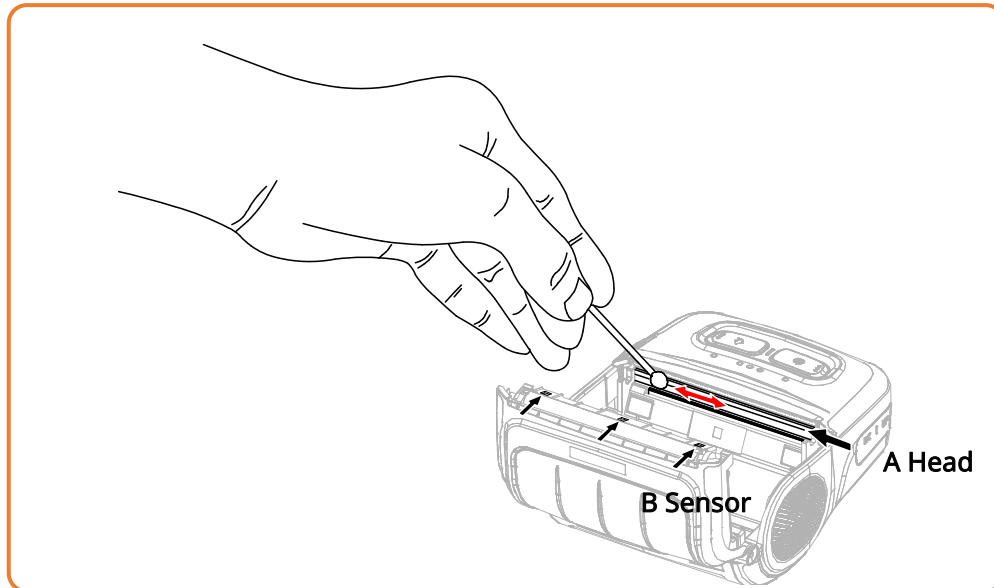
Self Test: Feed Button

- **SPP-L310 Auto Calibration**

- 1) Load media and press the FEED button to automatically detect the media.
- 2) In continuous mode, the media feed operation is not performed to recognize label media. Please refer to 5-1 for switching to label mode.
- 3) If the printer setting is set to Black Mark, Gap media recognition is not possible. Refer to 5-1 or change the sensor type using Unified Utility.

6. Printer Cleaning

If the interior of the printer is dusty, print quality can decline.
In such a case, follow the instructions below to clean the printer.



- 1) Open the media cover and remove the media, if present.
- 2) Clean the printhead (A) using the cloth or cotton swab soaked in alcohol for medical.
- 3) Using the cloth or cotton swab soaked in alcohol for medical, remove the media dust from the black mark sensor (B).
(Sensor could be located in the middle or on left or on right)
- 4) Do not use the printer for one to two minutes after cleaning until the alcohol for medical has completely evaporated and dried.
- 5) Insert the media and close the media cover.



- The head is very hot while the printer is running.
When cleaning the head, be careful not to touch the heating part of the head with your hands.
- The head may be damaged by static electricity, etc.
- Be careful not to scratch the head.
- Be sure to use only genuine linerless media supplied by Bixelon.
Otherwise, post-sale support may not be available.
- Be sure to turn off the power before you proceed with cleaning.
- When using linerless media, clean the head periodically after using 4 rolls of media (100 m) or at least once a week.
Otherwise, the product may fail and print quality may be compromised.

7. Appendix

7-1 Printer Specifications

Item	Description		
	SPP-R310	SPP-L310	
Printing	Printing Method	Thermal printing	
	Print Speed	Receipt media: 100 mm/sec Linerless media: 80 mm/sec	
	Resolution	203 DPI	
	Media supply	Easy media loading	
	Font	A(12 × 24) B(9 × 17) C(9 × 24)	10 SLCS Resident Bitmap Fonts One SLCS Resident Scalable Font 16 BPL-Z™ Resident Bitmap Fonts One BPL-Z™ Resident Scalable Font 8 BPL-C™ Resident Bitmap Fonts 23 Code Page Unicode supported (UTF-8, UTF-16LE, UTF-16BE)
	Barcode	1D: UPC-A, UPC-E, Code 39, Code 93, Code 128, EAN-8, EAN-13, ITF, Codabar 2D: PDF417, Data Matrix, MaxiCode, QR code, GS1 DataBar, Aztec Code	1D: Codabar, Code 11, Code 39, Code 93, Code 128, EAN-13, EAN-8, Industrial 2-of-5, Interleaved 2-of-5, Logmars, MSI, Plessey, Postnet, GS1 DataBar (RSS-14), Standard 2-of-5, UPC/EAN extensions, UPC-A, UPC-E, IMB 2D: Aztec, Codablock, Code 49, Data Matrix, MaxiCode, MicroPDF417, PDF417, QR code, TLC 39
	Emulation	BXL/POS	SLCS, BPL-Z™, BPL-C™
	Sensor	Media End Sensor, Media Cover Open, Black Mark Sensor (Optional)	Gap Sensor, Media Cover Open, Black Mark Sensor
Cutter Type	Tear-bar		
Media	Media Type	Thermal Media	
	Outer Diameter of Media Roll	Receipt Media: Max. Ø50 mm (1.97") Label Media: Max. Ø49 mm (1.93") Linerless Media: Max. Ø49 mm (1.93")	
	Width	79.5 ± 0.5 mm (3.13" ± 0.2")	
	Thickness	Receipt Media: 0.07 ± 0.005 mm Label Media: 0.07 ~ 0.15 mm Linerless Media: 0.08 ± 0.01 mm	
Reliability	Printer	Receipt Media: 50 km Label Media: 25 km Linerless Media: 10 km	
	Battery	Rechargeable up to 500 times.	

Communications	Interface	SPP-R310 - USB, SERIAL, - Bluetooth Class2 V3.0 +EDR, - Wireless LAN 802.11 b/g/n SPP-R310plus - USB, SERIAL, - Bluetooth 4.1(Classic/LE), - Wireless LAN 802.11 a/b/g/n	USB, SERIAL, Bluetooth 4.1(Classic/LE), Wireless LAN 802.11 a/b/g/n
	AC Adapter	Input	Voltage: 100 ~ 240 VAC Current: 0.5A (Max. at 110VA)
	Output	Voltage: 8.4 VDC Current: 0.8A * Charging current and charging time may depend on the type(option) of charger.	
Battery	Type	Lithium-ion	
	Output	Voltage: 7.4 VDC (Available 8.4 ~ 6.8VDC) Capacity: 2600 mAh	
	Charging time	Within four hours	
Card Reader (Optional)	MSR	ISO 7810/7811/7812, Triple tracks (1 & 2 & 3 Tracks) T- DES encryption & DUKPT key management	-
Usage Conditions	Temperature	Printer: -15~50°C (5~122°F) Battery: 0~40°C (32~104°F) Battery discharge: -20~60°C (-4~140°F)	
	Humidity	Printer: 10~80% RH (No condensation) Battery: 20~70% RH (No condensation, refer to the temperature conditions on page 8)	
Dimensions	Printer (without MSR)	105mm × 126mm × 58mm (4.14 in. × 4.97 in. × 2.29 in.)	
Weight	Printer (without MSR)	Printer: 285g (0.63lbs) Printer+Battery: 385g (0.85lbs) Printer+Battery+Media: 528g (1.17lbs) Package: approx. 1000g (2.21lbs)	Printer:285g (0.63lbs) Printer+Battery: 385g (0.85lbs) Package: approx. 850g (1.87lbs)
	Accessories	Basic Package	Battery Pack, Battery Charger, Belt Clip
	Sold Separately	Belt Strap, Cigarette Lighter Charger, Interface Cable, Cleaning Pen, Single Battery Cradle, Quad Battery Charger, Wall Mount(for Quad Battery Charger)	

7-2 Label Types Specifications

- The labels used on this product are composed of the following materials.

Label Types	Texture
BIXOLON logo Label	PC
Rating Label	PP
Other labels	PET

7-3 Recommended Media

- Receipt media: PD 160R (Media Thickness 75 μ m), New Oji Media Mfg. Co., Ltd.
- Linerless media: T6087 (Media Thickness 76 μ m), Blumberg GmbH & Co. KG

Warning

Lithium-Ion Battery pack

<Warning> The battery has the potential risk of overheating, fire and/or explosion. To avoid such risks, observe the following instructions:

- A visibly swollen battery may be dangerous. Contact BIXOLON or your local dealer.
- Only use an eligible charger.
- Keep away from open flames. (Do not place in a microwave.)
- Do not leave the battery pack inside a vehicle in summertime.
- Do not store or use in a hot and humid place like a sauna with sleeping rooms.
- Do not place the battery pack on a quilt, an electric blanket or a carpet for a long time.
- Do not store the battery pack switched on in an enclosed place for a long time.
- Do not allow the battery port to touch metal items, such as necklace, coin, key or clock etc.
- Use the lithium secondary cell guaranteed by mobile phone manufacturer or BIXOLON.
- Do not disassemble, compress or pierce the battery pack.
- Do not drop the battery pack from a high place or subject it to strong shock.
- Do not expose the battery to high temperatures over 60°C.
- Do not expose to humidity.

Disposal Directions

- Do not dispose of used battery packs carelessly.
- Do not burn or throw in a fire to dispose of the battery pack. There is a risk of fire and/or explosion.
- Dispose of battery packs according to the methods defined by your country or region.

Recommendation for Charging

- Charge your battery pack according to the instruction manual to avoid risks of fire or explosion.