

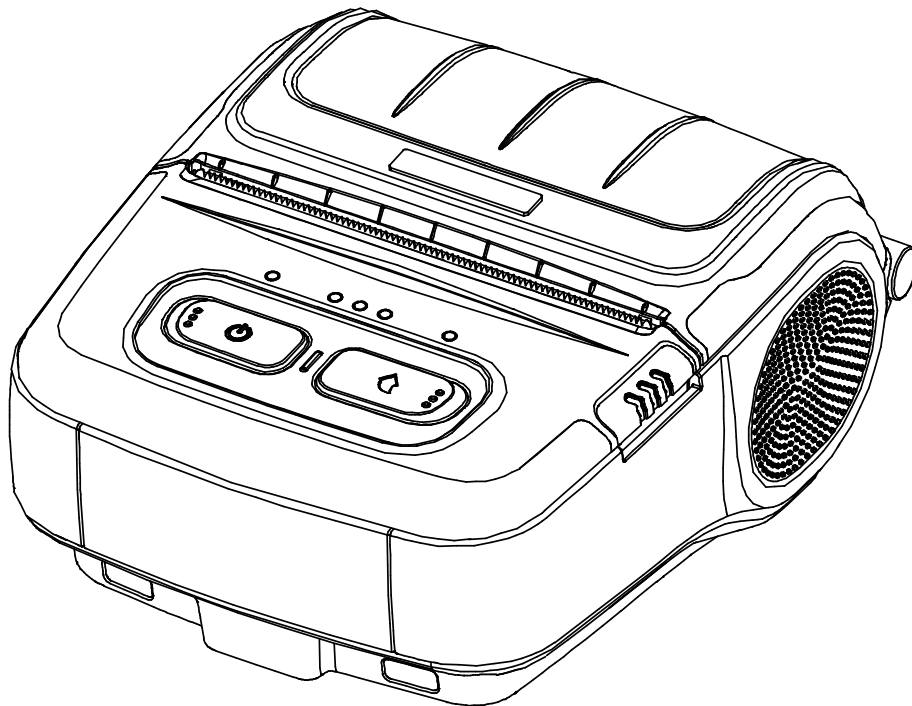
**BIXOLON®**

# Paper Specifications

---

**Rev. 1.01**

**SPP-R200II,R200III,R210,  
R300,R310,R400**



<http://www.bixolon.com>

**■ Table of contents**

- ※ **About this manual** .....3
  
- 1. Receipt paper** .....4
  - 1-1 Paper specifications.....4
  - 1-2 Recommended papers .....4
  - 1-3 Black mark specifications .....4
  
- 2. Label paper**.....6
  - 2-1 Paper specifications.....6
  - 2-2 Quantity of label (Reference) .....6
  - 2-3 Black mark specifications .....7
  
- 3. Linerless paper** .....8
  - 3-1 Paper specifications.....8
  - 3-2 Recommended papers .....8
  - 3-3 Black mark specifications .....8

## **※ About this manual**

This manual contains paper specifications needed to use mobile printer.

## 1. Receipt paper

### 1-1 Paper specifications

Model	Paper width	Outer diameter of paper roll	Thickness	Length of Paper (Reference)
SPP-R200II	49.5 ± 0.5 mm (1.94" ± 0.2")	Max. Ø40 mm (Max. Ø1.57")	0.07 ± 0.005 mm (0.0028" ± 0.0002")	12m (39.37')
SPP-R200III	57.5 ± 0.5 mm (2.26" ± 0.2")			
SPP-R210	57.5 ± 0.5 mm (2.26" ± 0.2")	Max. Ø30 mm (Max. Ø1.18")	0.07 ± 0.005 mm (0.0028" ± 0.0002")	5m (16.4')
SPP-R300	79.5 ± 0.5 mm (3.13" ± 0.2")	Max. Ø50 mm	0.07 ± 0.005 mm (0.0028" ± 0.0002")	21m (68.89')
SPP-R310		(Max. Ø1.97")		
SPP-R400	104.5 ± 0.5 mm (4.11" ± 0.2")	Max. Ø57 mm (Max. Ø2.24")	0.07 ± 0.005 mm (0.0028" ± 0.0002")	29m (95.14')
	111.5 ± 0.5 mm (4.39" ± 0.2")			


### 1-2 Recommended papers

- PD 150R (Paper Thickness 75µm), New Oji Paper Mfg. Co., Ltd.

### 1-3 Black mark specifications

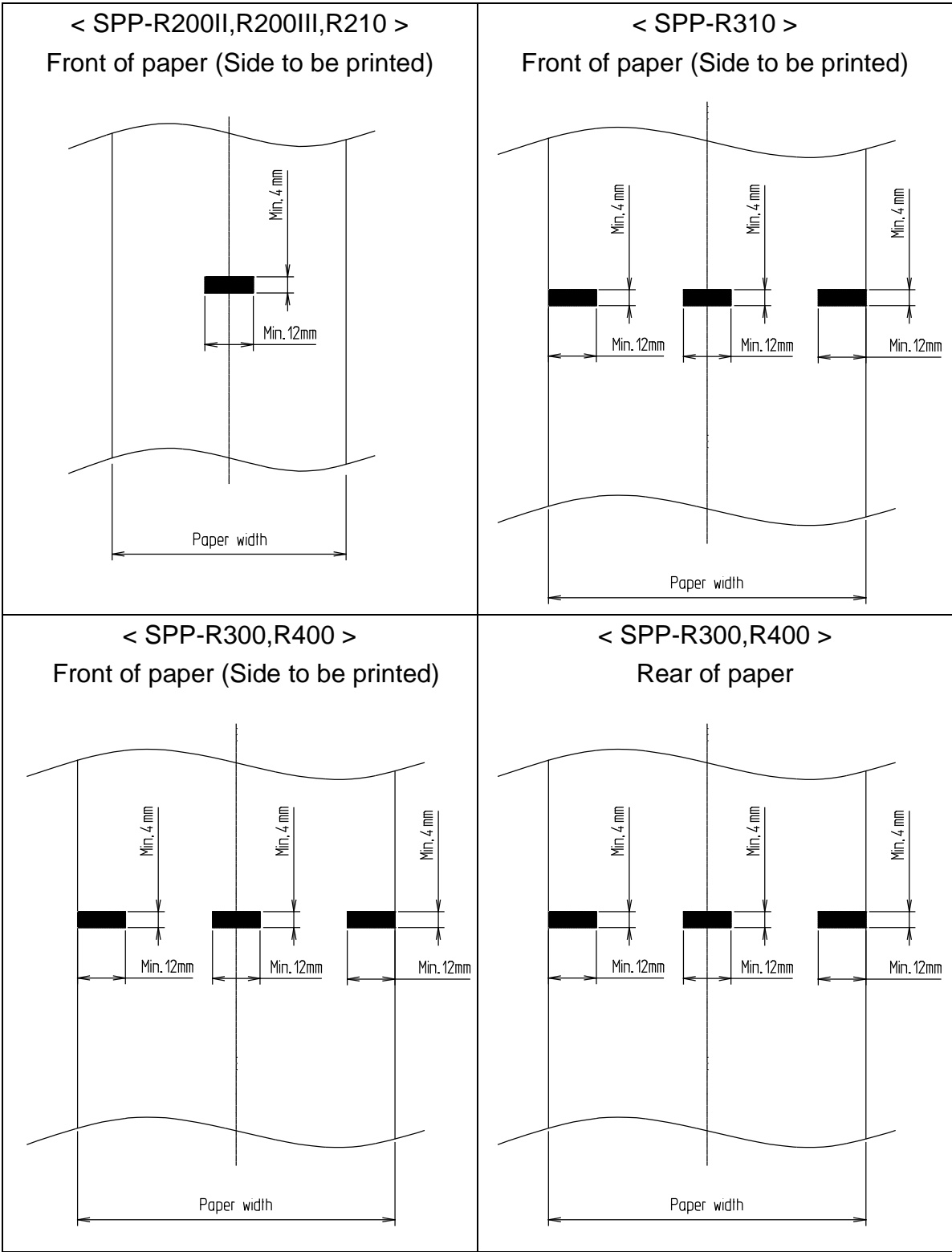
1) Available black mark location by model

Model	Black mark location					
	Middle of front (Standard)	Right of front (0)	Left of front (4)	Middle of rear (2)	Right of rear (1)	Left of rear (3)
SPP-R200II	○	X	X	X	X	X
SPP-R200III	○	X	X	X	X	X
SPP-R210	○	X	X	X	X	X
SPP-R300	○	○	○	○	○	○
SPP-R310	○	○	○	X	X	X
SPP-R400	○	○	○	○	○	○

 NOTE) Front is side to be printed

# Paper Specification

2) Black mark location and dimensions



3) Density of black mark : Optical density 0.84 ~ 1.34  
(Based on the Macbeth measuring instrument)

# Paper Specification

## 2. Label paper

### 2-1 Paper specifications

Model	Paper Width	Outer Diameter of Paper Roll	Inner Diameter of Paper Core	Length of Paper (Reference)
SPP-R200II	49.5 ± 0.5 mm (1.94" ± 0.2")	Max. Ø39 mm (Max. Ø1.53")	19mm (0.75")	4.5m (14.76')
SPP-R200III	57.5 ± 0.5 mm (2.26" ± 0.2")			
SPP-R300 SPP-R310	79.5 ± 0.5 mm (3.13" ± 0.2")	Max. Ø49 mm (Max. Ø1.93")	19mm (0.75")	9.5m (31.16')
SPP-R400	104.5 ± 0.5 mm (4.11" ± 0.2")	Max. Ø56 mm (Max. Ø2.2")	19mm (0.75")	13m (42.65')
	111.5 ± 0.5 mm (4.39" ± 0.2")			


### 2-2 Quantity of label (Reference)

Model	Outer Diameter of Paper Roll	Length of Label					
		1"	2"	3"	4"	5"	6"
SPP-R200II SPP-R200III	Max. Ø39 mm (Max. Ø1.53")	150	80	55	40	-	-
SPP-R300 SPP-R310	Max. Ø49 mm (Max. Ø1.93")	330	175	120	90	70	-
SPP-R400	Max. Ø56 mm (Max. Ø2.2")	455	240	160	120	100	80

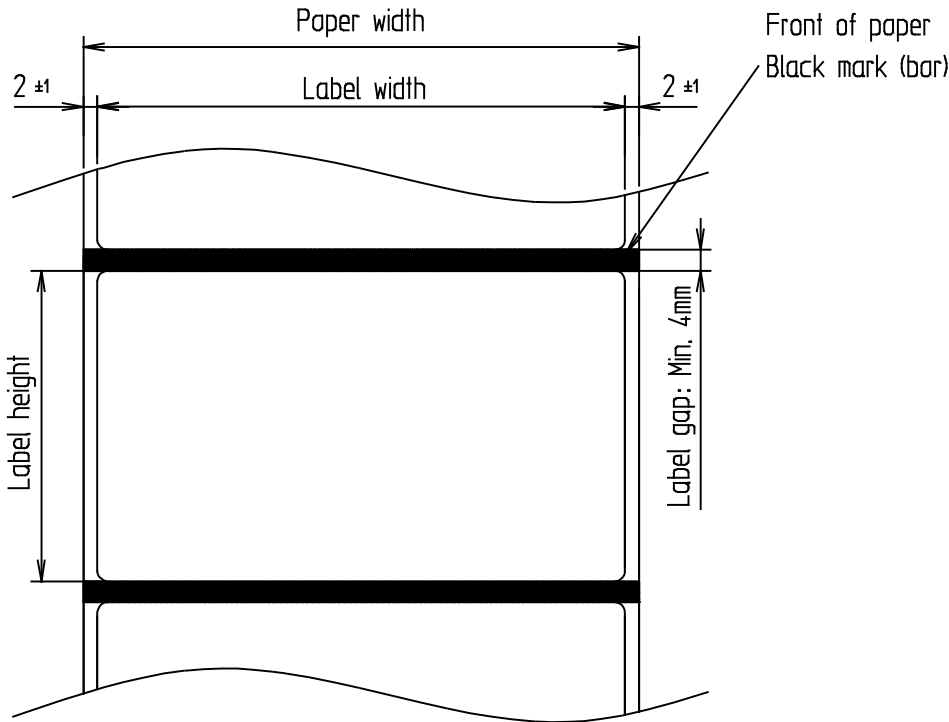
**2-3 Black mark specifications**

1) Available black mark location by model

Model	Black mark location					
	Middle of front (Standard)	Right of front (0)	Left of front (4)	Middle of rear (2)	Right of rear (1)	Left of rear (3)
SPP-R200II	○	X	X	X	X	X
SPP-R200III	○	X	X	X	X	X
SPP-R300	○	○	○	○	○	○
SPP-R310	○	○	○	X	X	X
SPP-R400	○	○	○	○	○	○

 NOTE) Front is side to be printed

2) Dimension of Label paper and black mark



3) Density of black mark : Optical density 0.84 ~ 1.34  
(Based on the Macbeth measuring instrument)

## 3. Linerless paper

### 3-1 Paper specifications

Model	Paper Width	Outer Diameter of Paper Roll	Thickness	Length of Paper (Reference)
SPP-R200II	49.5 ± 0.5 mm (1.94" ± 0.2")	Max. Ø39 mm (Max. Ø1.53")	0.08 ± 0.01 mm (0.0032" ± 0.0004")	10m (32.8')
SPP-R200III	57.5 ± 0.5 mm (2.26" ± 0.2")			
SPP-R210	57.5 ± 0.5 mm (2.26" ± 0.2")	Max. Ø30 mm (Max. Ø1.18")	0.08 ± 0.01 mm (0.0032" ± 0.0004")	5m (16.4')
SPP-R300	79.5 ± 0.5 mm (3.13" ± 0.2")	Max. Ø49 mm (Max. Ø1.93")	0.08 ± 0.01 mm (0.0032" ± 0.0004")	17m (55.77')
SPP-R310				
SPP-R400	104.5 ± 0.5 mm (4.11" ± 0.2")	Max. Ø56 mm (Max. Ø2.2")	0.08 ± 0.01 mm (0.0032" ± 0.0004")	24m (78.74')
	111.5 ± 0.5 mm (4.39" ± 0.2")			


### 3-2 Recommended papers

- T6087 (Paper Thickness 76µm), Blumberg GmbH & Co. KG

### 3-3 Black mark specifications

1) Available black mark location by model

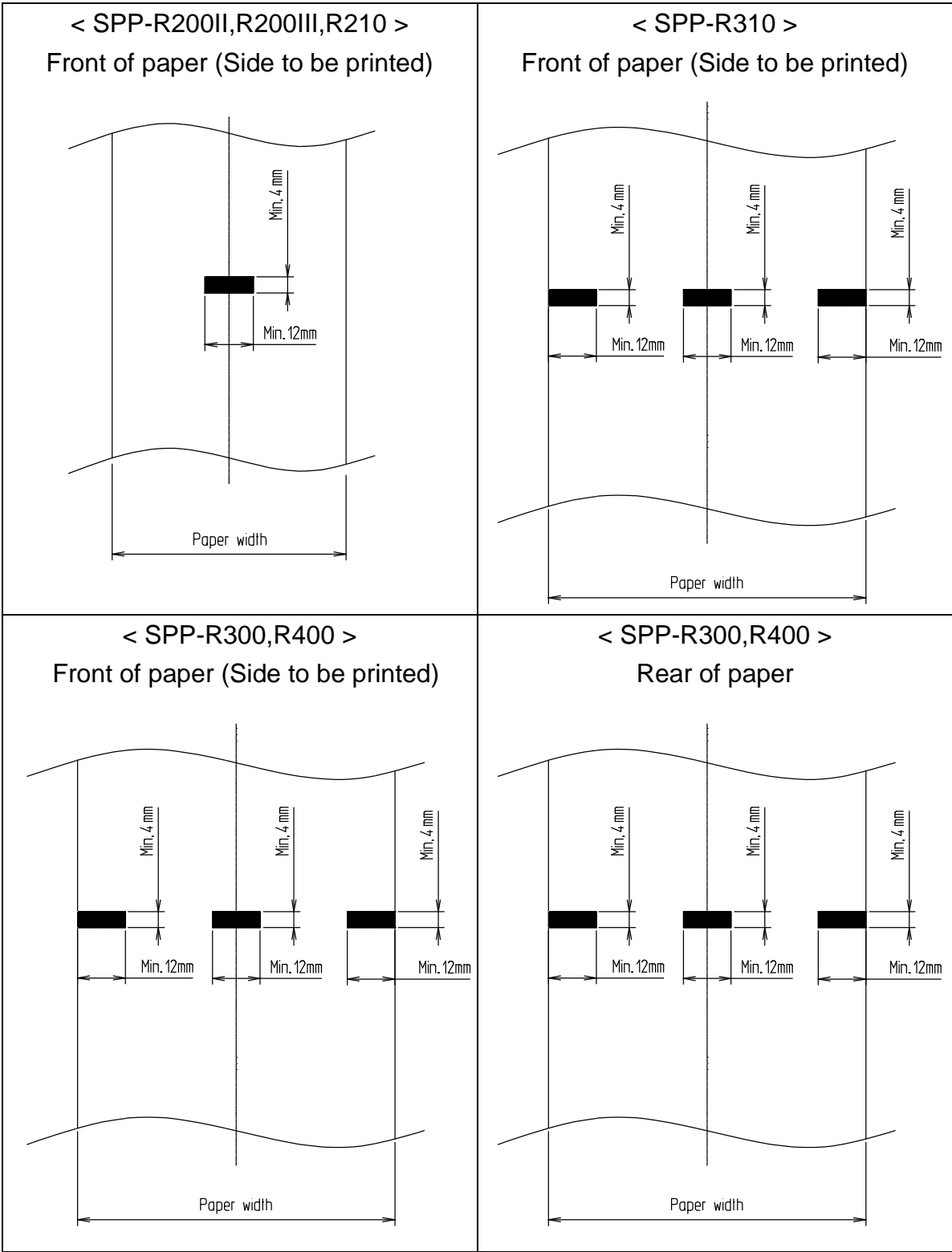
Model	Black mark location					
	Middle of front (Standard)	Right of front (0)	Left of front (4)	Middle of rear (2)	Right of rear (1)	Left of rear (3)
SPP-R200II	○	X	X	X	X	X
SPP-R200III	○	X	X	X	X	X
SPP-R210	○	X	X	X	X	X
SPP-R300	○	○	○	○	○	○
SPP-R310	○	○	○	X	X	X
SPP-R400	○	○	○	○	○	○

 NOTE) Front is side to be printed



# Paper Specification

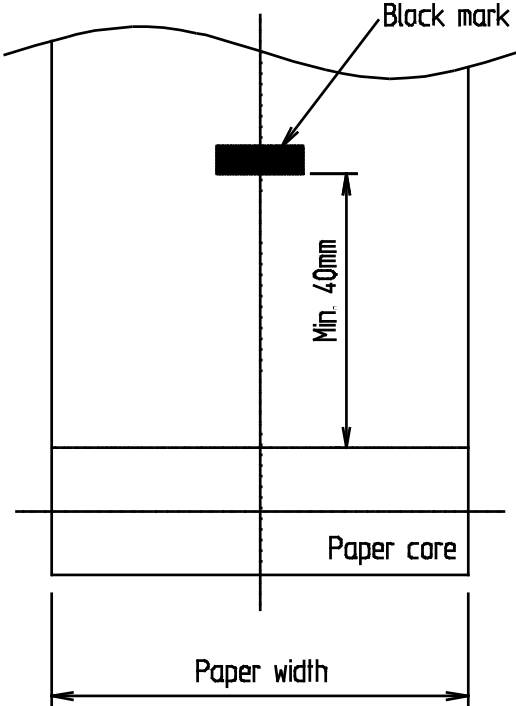
## 2) Black mark location and dimension



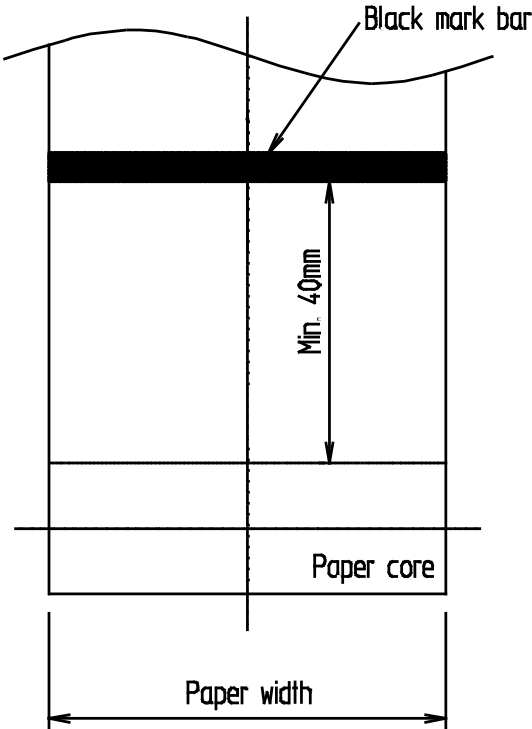
3) Paper end

Paper end should be produced like below type.

- Black mark type

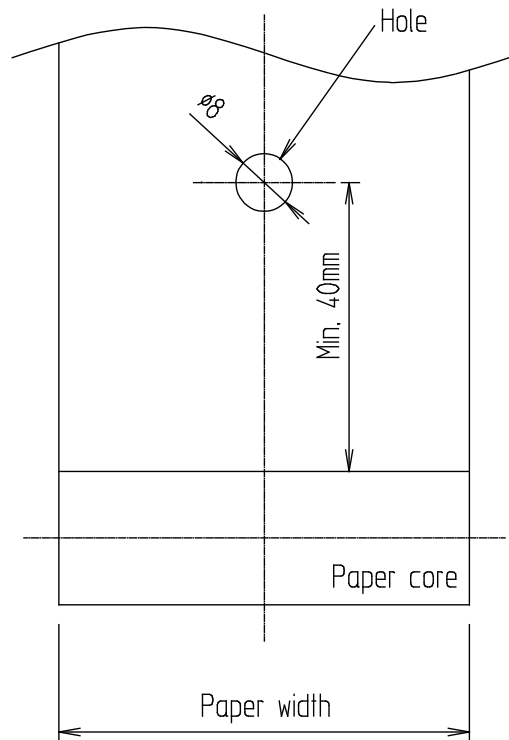


- Black mark bar type



## Paper Specification

- Hole type



- Separate type

Paper end must be separated from paper core automatically.

4) Density of black mark : Optical density 0.84 ~ 1.34

(Based on the Macbeth measuring instrument)